

XW-LS08 Series

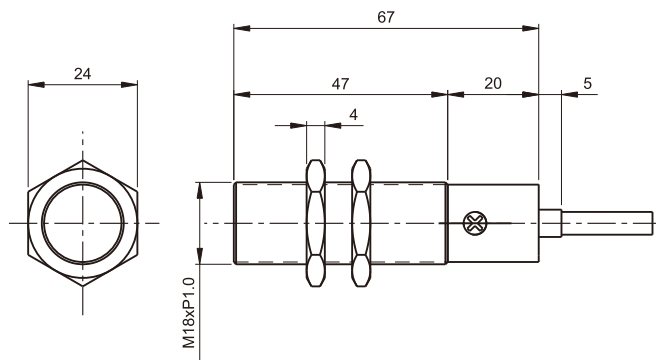
- ⊙ Equipped with sensitivity adjuster, excellent sensitivity, able to detect transparent objects.
- ⊙ Distance of detected objects can be setting and activated precisely without influence by color and material.
- ⊙ With Light ON and Dark NO two functions.



<u>Item</u>	<u>Specifications</u>	
Model number	XW-LS08N	XW-LS08P
Sensing method	Convergent-reflective	
Sensing distance	2~8cm	
Switching output	NPN NO & NC	PNP NO & NC
Standard sensing object	White Paper 50x50mm	
Operating voltage	DC 12~24V±10%	
Response time	< 5ms	
Load current	< 200mA	
Light source	Infrared LED	
Operation indicator	Red LED	
Circuits protection	Reversed polarity & Short circuit protection	
Enclosure protection	IEC IP65	
Ambient temperature & humidity range	Operating : -20 ~ 55°C / RH 35 ~85% (with no icing or condensation)	

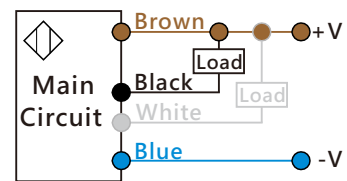
Ambient illumination	Lamplight < 3000 Lux / Sunlight < 10000 Lux
Housing material	Case : Nickel-Plated Brass / Lens : Acrylic
Connecting method	Pre-wired 2M Cable
Accessories	Nuts · Screws

Dimension



Wiring Diagram

NPN NO&NC Type



PNP NO&NC Type

