

XW-LS05 Series

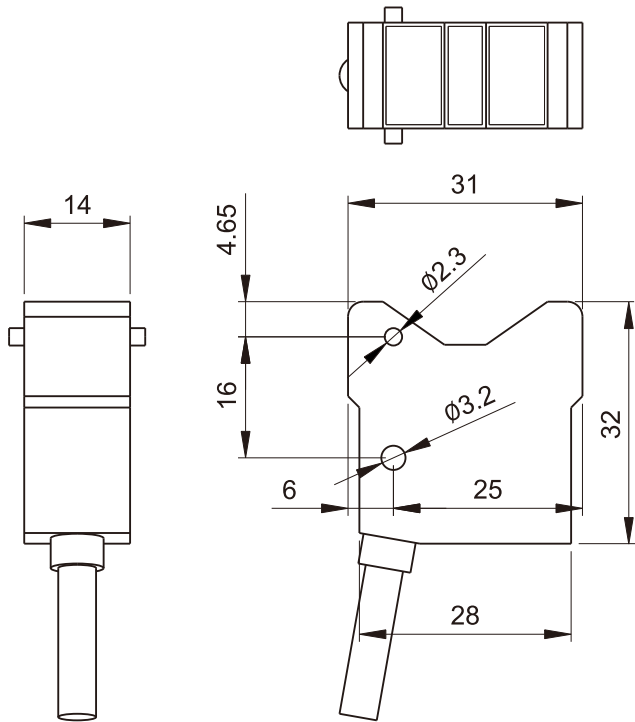
- ☪ Tiny designed with built-in amplifier, able to detect transparent object.
- ☪ Distance of detected objects can be setting and activated precisely without influence by color and material.
- ☪ With Light ON and Dark NO two systems.



<u>Item</u>	<u>Specifications</u>	
Model number	XW-LS05NE1	XW-LS05NE2
Sensing method	Convergent-reflective	
Sensing distance	4.5cm	
Switching output	NPN NO	NPN NC
Standard sensing object	White Paper 50x50mm	
Operating voltage	DC 12~24V±10%	
Response time	< 5ms	
Load current	< 200mA	
Light source	Infrared LED	
Operation indicator	Red LED	
Circuits protection	Reversed polarity & Short circuit protection	
Enclosure protection	IEC IP67	
Ambient temperature & humidity range	Operating : -20 ~ 55°C / RH 35 ~85% (with no icing or condensation)	

Ambient illumination	Lamplight < 3000 Lux / Sunlight < 10000 Lux
Housing material	Case : ABS / Lens : Acrylic
Connecting method	Pre-wired 2M Cable
Accessories	Mounting bracket 、Screws

Dimension



Wiring Diagram

