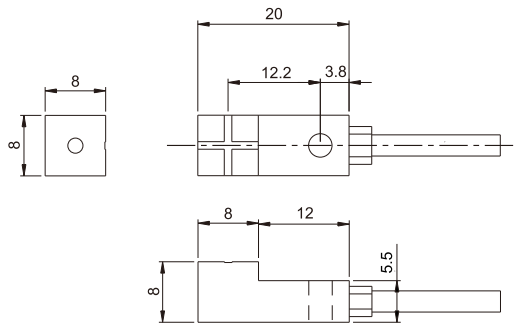


XS Series

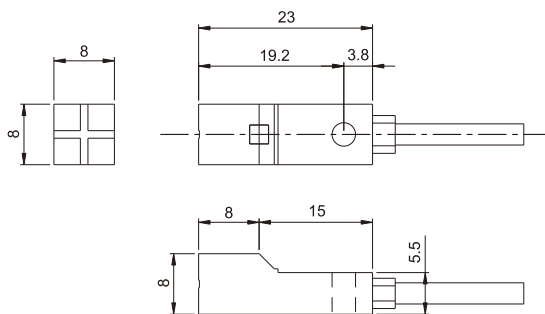
- ⌚ No-touch operation, high response frequency, wide range application.
- ⌚ Reverse polarity and short circuit protection.
- ⌚ Variable with cable or connector version, customer-specific versions available.
- ⌚ Good environmental resistance up to IP67, all products are CE approved.



IEC IP67

Pre-wired 2M Cable / PBT

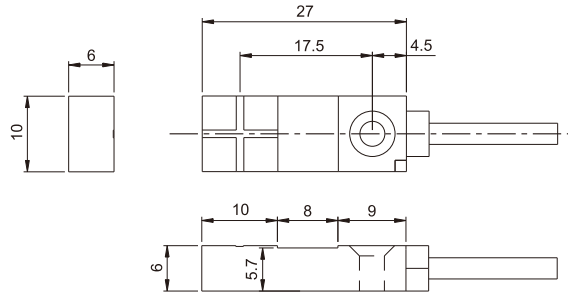
Switching Output	Model Number	Operating Voltage	Response Frequency	Sensing Distance
DC 3-Wire NPN NO	XS-N08NS2.5E1	12~24VDC±10%	500Hz	2.5mm
DC 3-Wire NPN NC	XS-N08NS2.5E2			
DC 3-Wire PNP NO	XS-N08PS2.5E1			



IEC IP67

Pre-wired 2M Cable / PBT

Switching Output	Model Number	Operating Voltage	Response Frequency	Sensing Distance
DC 3-Wire NPN NO	XS-N08N2.5E1	12~24VDC±10%	500Hz	2.5mm
DC 3-Wire NPN NC	XS-N08N2.5E2			
DC 3-Wire PNP NO	XS-N08P2.5E1			



IEC IP67

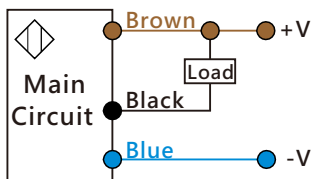
Pre-wired 2M Cable / PBT

Switching Output	Model Number	Operating Voltage	Response Frequency	Sensing Distance
DC 3-Wire NPN NO	XS-N10NS02E1	12~24VDC±10%	200Hz	2mm
DC 3-Wire NPN NC	XS-N10NS02E2			
DC 3-Wire PNP NO	XS-N10PS02E1			

Item	Specifications
Standard sensing object	Iron, 15×15×1 mm
Installation	Unshielded
Load current	≤ 100mA
Operation indicator	Red LED
Circuits protection	Reversed polarity & Short circuit protection
Ambient temperature & humidity range	Operating : -20 ~ 70°C / RH 35 ~85% (with no icing or condensation)

Wiring Diagram

DC-3wire
NPN NO/NC Type



DC-3wire
PNP NO Type

