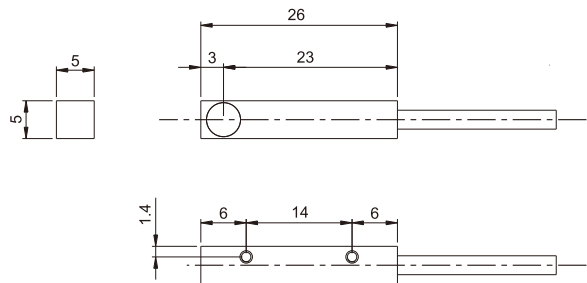


XS Series

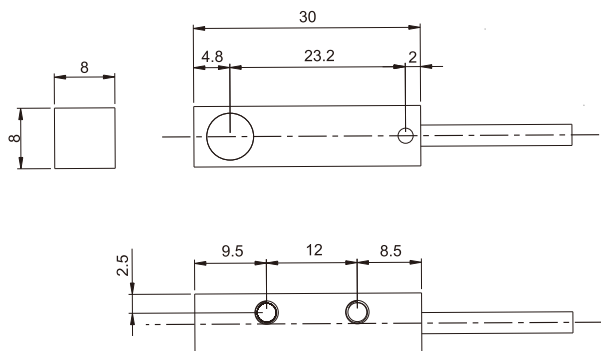
- ⌚ No-touch operation, high response frequency, wide range application.
- ⌚ Reverse polarity and short circuit protection.
- ⌚ Variable with cable or connector version, customer-specific versions available.
- ⌚ Good environmental resistance up to IP67, all products are CE approved.



IEC IP67

Pre-wired 2M Cable / Stainless-Steel

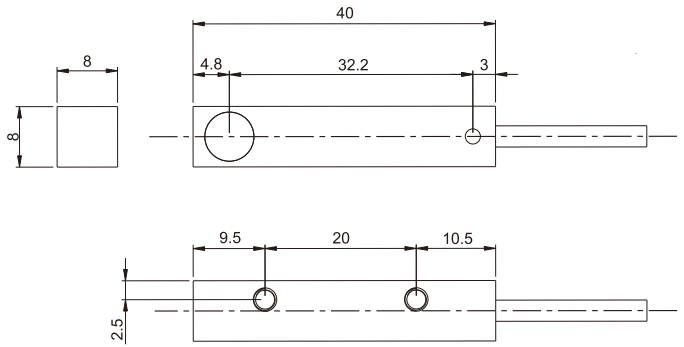
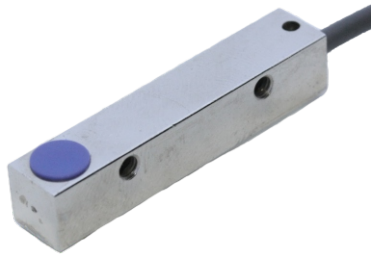
Switching Output	Model Number	Operating Voltage	Response Frequency	Sensing Distance
DC 3-Wire NPN NO	XS-F05NS0.8E1	12~24VDC±10%	2000Hz	0.8mm
DC 3-Wire PNP NO	XS-F05PS0.8E1			



IEC IP67

Pre-wired 2M Cable / Stainless-Steel

Switching Output	Model Number	Operating Voltage	Response Frequency	Sensing Distance
DC 3-Wire NPN NO	XS-F08GNS02E1	12~24VDC±10%	1000Hz	2mm
DC 3-Wire PNP NO	XS-F08GPS02E1			



IEC IP67

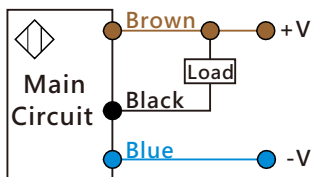
Pre-wired 2M Cable / Stainless-Steel

Switching Output	Model Number	Operating Voltage	Response Frequency	Sensing Distance
DC 3-Wire NPN NO	XS-F08NS02E1	12~24VDC±10%	1000Hz	2mm
DC 3-Wire PNP NO	XS-F08PS02E1			

Item	Specifications
Standard sensing object	Iron, 8×8×1 mm (XS-F05 Mode) Iron, 12×12×1 mm (XS-F08 Mode)
Installation	Shielded
Load current	≤ 100mA
Operation indicator	Red LED
Circuits protection	Reversed polarity & Short circuit protection
Ambient temperature & humidity range	Operating : -20 ~ 70℃ / RH 35 ~85% (with no icing or condensation)

Wiring Diagram

DC-3wire
NPN NO Type



DC-3wire
PNP NO Type

