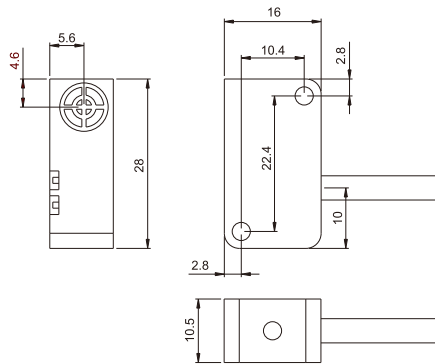


XS Series

- ⌚ No-touch operation, high response frequency, wide range application.
- ⌚ Reverse polarity and short circuit protection.
- ⌚ Variable with cable or connector version, customer-specific versions available.
- ⌚ Good environmental resistance up to IP67, all products are CE approved.



IEC IP67

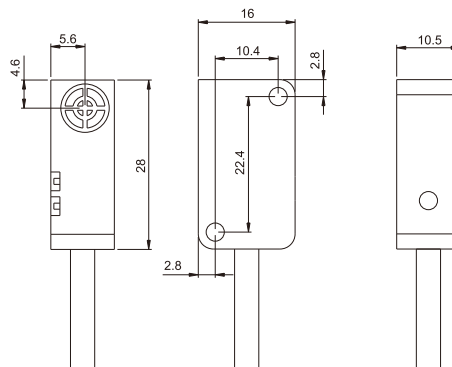


Pre-wired 2M Cable / PBT

Switching Output	Model Number	Operating Voltage	Response Frequency	Sensing Distance
DC 3-Wire NPN NO	XS-F16N02E1	12~24VDC±10%	1000Hz	2mm
DC 3-Wire PNP NO	XS-F16P02E1			
DC 3-Wire NPN NO	XS-N16N04E1		500Hz	4mm
DC 3-Wire PNP NO	XS-N16P04E1			



IEC IP67



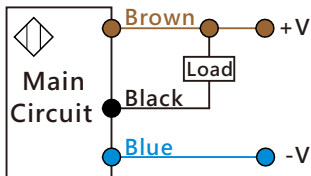
Pre-wired 2M Cable / PBT

Switching Output	Model Number	Operating Voltage	Response Frequency	Sensing Distance
DC 3-Wire NPN NO	XS-F16NS02E1	12~24VDC±10%	1000Hz	2mm
DC 3-Wire PNP NO	XS-F16PS02E1			
DC 3-Wire NPN NO	XS-N16NS04E1		500Hz	4mm
DC 3-Wire PNP NO	XS-N16PS04E1			

Item	Specifications
Standard sensing object	Iron, 12×12×1 mm (XS-F16 Mode) Iron, 16×16×1 mm (XS-N16 Mode)
Installation	Unshielded (XS-N16 Mode) Shielded (XS-F16 Mode)
Load current	≤ 100mA
Operation indicator	Red LED
Circuits protection	Reversed polarity & Short circuit protection
Ambient temperature & humidity range	Operating : -20 ~ 70℃ / RH 35 ~85% (with no icing or condensation)

Wiring Diagram

DC-3wire
NPN NO Type



DC-3wire
PNP NO Type

