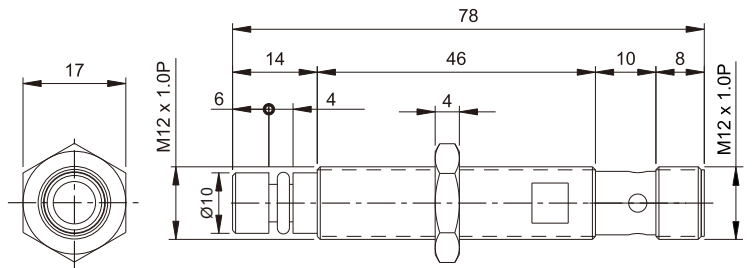


XR Series

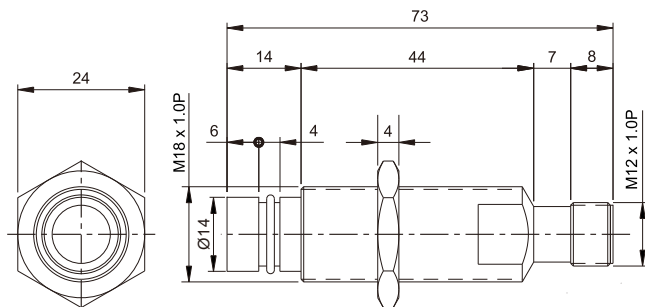
- XR-series for resistant to high pressure, applicable 500 bar.
- No-touch operation, high response frequency.
- Short circuit protection, good environmental resistance up to IP68 and all products are CE approved.



IEC IP68

M12 Plug Connector / Stainless-Steel

Switching Output	Model Number	Operating Voltage	Response Frequency	Sensing Distance
DC 3-Wire NPN NO	XR-F12N1.5E1-V	12~24VDC±10%	600Hz	1.5mm
DC 3-Wire NPN NC	XR-F12N1.5E2-V			
DC 3-Wire PNP NO	XR-F12P1.5E1-V			
DC 3-Wire PNP NC	XR-F12P1.5E2-V			



IEC IP68

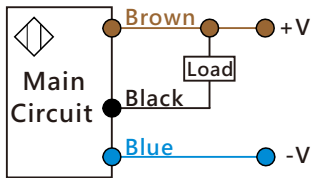
M12 Plug Connector / Stainless-Steel

Switching Output	Model Number	Operating Voltage	Response Frequency	Sensing Distance
DC 3-Wire NPN NO	XR-F18N02E1-V	12~24VDC±10%	600Hz	2mm
DC 3-Wire NPN NC	XR-F18N02E2-V			
DC 3-Wire PNP NO	XR-F18P02E1-V			
DC 3-Wire PNP NC	XR-F18P02E2-V			

Item	Specifications
Standard sensing object	Iron, 10×10×1 mm (XR-F12 Mode) Iron, 13×13×1 mm (XR-F18 Mode)
Installation	Shielded
Load current	≤150mA
Operation indicator	Red LED
Circuits protection	Short circuit protection
Ambient temperature & humidity range	Operating : -20 ~ 70℃ / RH 35 ~85% (with no icing or condensation)

Wiring Diagram

DC-3wire
NPN NO/NC Type



DC-3wire
PNP NO/NC Type

