

XPG Series

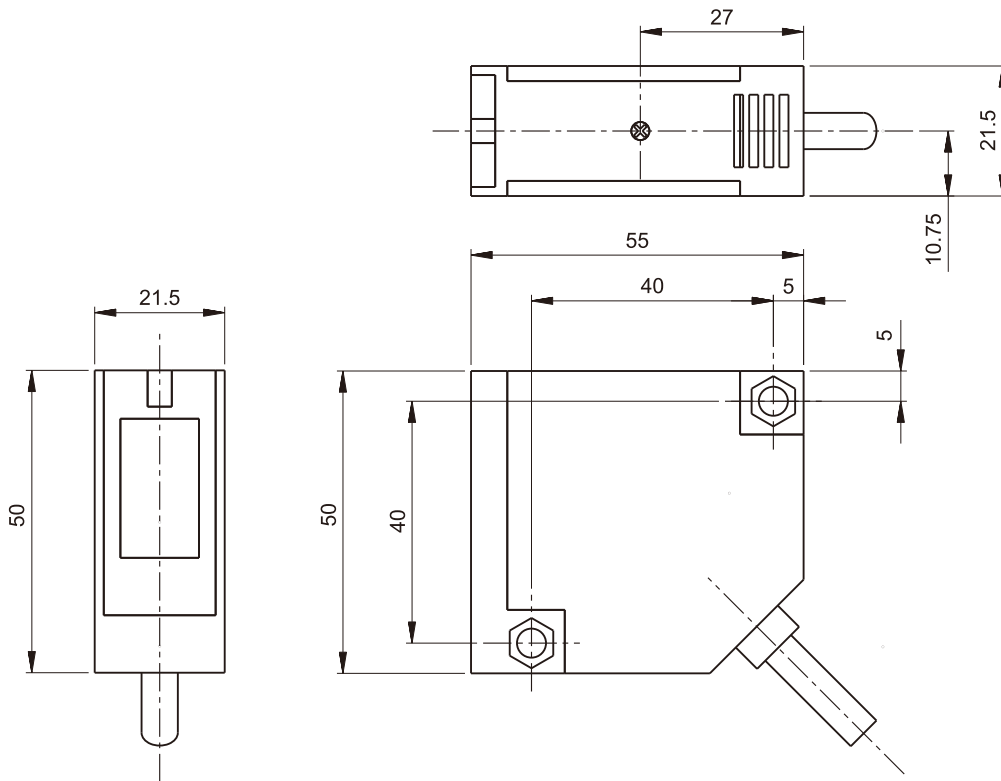
- Exclusive innovation of 4 in 1 switch output function, wide range application.
- Equipped with sensitivity adjuster, excellent sensitivity.
- Good environmental resistance up to IP65.
- Reverse polarity and short circuit protection.



Item	Specifications			
Model number	XPG-SP10ME4	XPG-SR400E4	XPG-CR200E4	XPG-CR70E4
Sensing method	Through-beam	Retro-reflective	Diffuse-reflective	
Sensing distance	10M	4M	200cm	70cm
Switching output	NPN & PNP NO & NC			
Standard sensing object	Opaque Ø20mm	Opaque Ø70mm	White Paper 30x30cm	
Operating voltage	DC 12~24V±10%			
Response time	< 10ms			
Load current	< 200mA			
Sensitivity adjustment	Sensitivity adjuster			
Light source	Infrared LED			
Operation indicator	Red LED			
Circuits protection	Reversed polarity & Short circuit protection			
Enclosure protection	IEC IP65			
Ambient temperature & humidity range	Operating: -20 ~ 55°C / RH 35 ~ 85% (with no icing or condensation)			

Ambient illumination	Lamplight < 3000 Lux / Sunlight < 10000 Lux
Housing material	Case : ABS / Lens : Acrylic
Connecting method	Pre-wired 2M Cable
Accessories	Mounting bracket · Screws · Adjustment screwdriver · Reflector (only for Retro-reflective)

Dimension



Wiring Diagram

