

### XP-SP25 Series

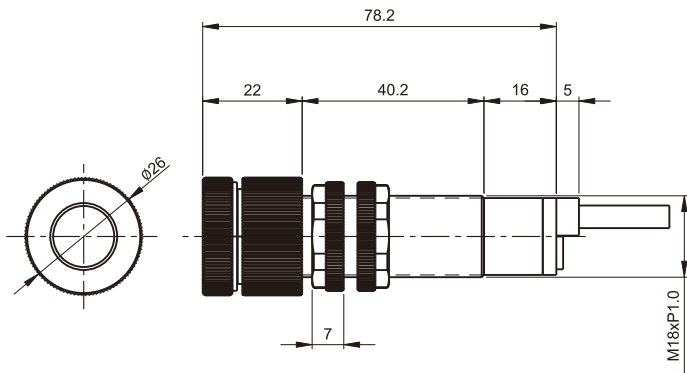
- Equipped with optical glass lens, sensing distance up to 25M.
- Removable glass lens, easy installation and maintenance.
- Good environmental resistance up to IP67.
- All products are CE approved.



<u>Item</u>	<u>Specifications</u>
Model number	XP-SP25MN
Sensing method	Through-beam
Sensing distance	25M
Switching output	NPN NO & NC
Standard sensing object	Opaque Ø20mm
Operating voltage	DC 12~24V±10%
Response time	< 5ms
Load current	< 200mA
Light source	Infrared LED
Operation indicator	Red LED
Circuits protection	Reversed polarity & Short circuit protection
Enclosure protection	IEC IP67
Ambient temperature & humidity range	Operating : -20 ~ 55°C / RH 35 ~85% (with no icing or condensation)
Ambient illumination	Lamplight < 3000 Lux / Sunlight < 10000 Lux

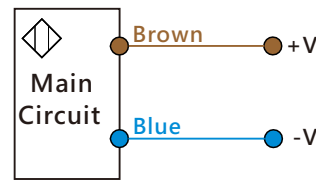
Housing material	Case : ABS / Lens : Glass
Connecting method	Pre-wired 2M Cable
Accessories	Nuts

Dimension

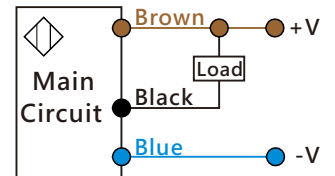


Wiring Diagram

Emitter of Thru-beam



NPN NO Type



NPN NC Type

