

XP-SP18 Series

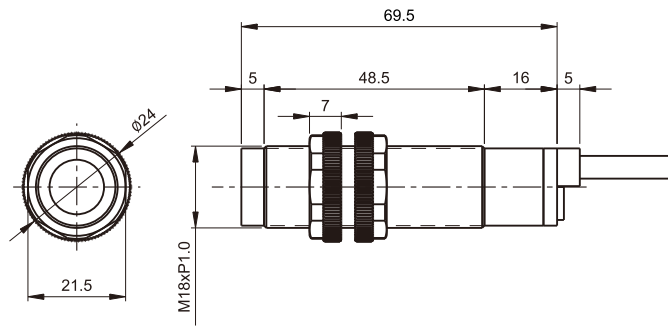
- ☪ CENELEC standard size of M18 specification, easy installation.
- ☪ With Light ON and Dark ON two functions, sensing distance up to 18M.
- ☪ Good environmental resistance up to IP67.
- ☪ All products are CE approved.



<u>Item</u>	<u>Specifications</u>
Model number	XP-SP18MN
Sensing method	Through-beam
Sensing distance	18M
Switching output	NPN NO & NC
Standard sensing object	Opaque Ø20mm
Operating voltage	DC 12~24V±10%
Response time	< 5ms
Load current	< 200mA
Light source	Infrared LED
Operation indicator	Red LED
Circuits protection	Reversed polarity & Short circuit protection
Enclosure protection	IEC IP67
Ambient temperature & humidity range	Operating : -20 ~ 55°C / RH 35 ~ 85% (with no icing or condensation)
Ambient illumination	Lamplight < 3000 Lux / Sunlight < 10000 Lux

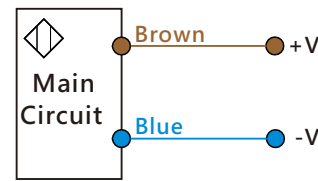
Housing material	Case : ABS / Lens : Acrylic
Connecting method	Pre-wired 2M Cable
Accessories	Nuts

Dimension

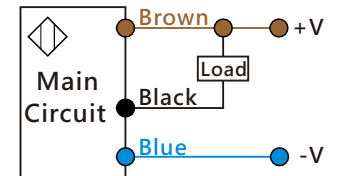


Wiring Diagram

Emitter of Thru-beam



NPN NO Type



NPN NC Type

