

XP-E4 Series

- Exclusive innovation of 4 in 1 switch output function, wide range application.
- Available with horizontal and vertical installation types.
- Good environmental resistance up to IP67.
- Reverse polarity and short circuit protection.

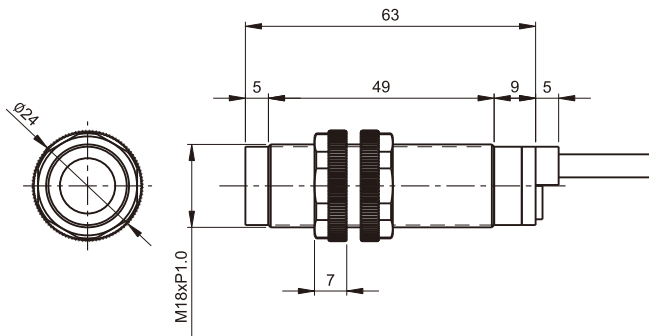


Item	Specifications			
Model number	XP-SP10ME4	XP-SR200E4	XP-CR30E4	XP-CR10E4
	XP-SP10MSE4	XP-SR200SE4	XP-CR30SE4	XP-CR15SE4
Sensing method	Through-beam	Retro-reflective	Diffuse-reflective	
Sensing distance	10M	1.5M	30cm	10cm
				15cm
Switching output	NPN & PNP NO & NC			
Standard sensing object	Opaque Ø12mm	Opaque Ø50mm	White Paper 120x120mm	
Operating voltage	DC 12~24V±10%			
Response time	< 10ms			
Load current	< 200mA			
Light source	Infrared LED			
Operation indicator	Red LED			
Circuits protection	Reversed polarity & Short circuit protection			
Enclosure protection	IEC IP67			
Ambient temperature & humidity range	Operating : -20 ~ 55°C / RH 35 ~ 85% (with no icing or condensation)			

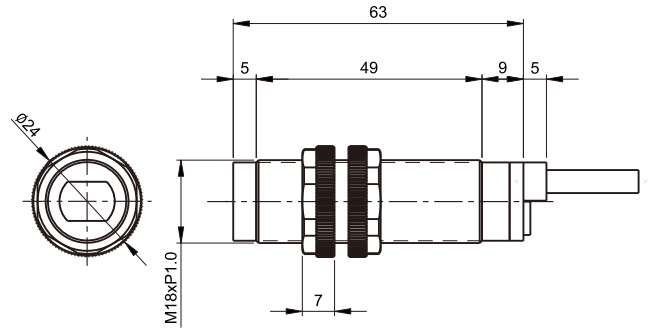
Ambient illumination	Lamplight < 3000 Lux / Sunlight < 10000 Lux
Housing material	Case : ABS / Lens : Acrylic
Connecting method	Pre-wired 2M Cable
Accessories	Mounting bracket · Screws · Nuts Reflector (only for Retro-reflective)

Dimension

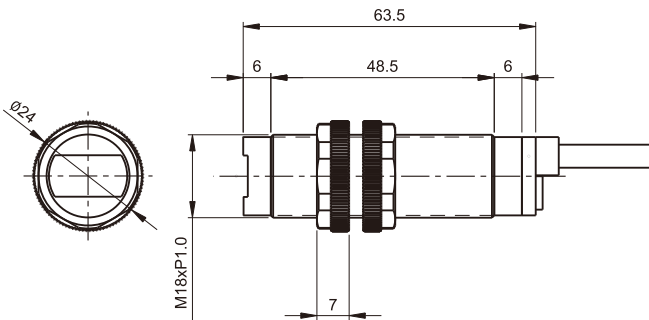
XP-SP10ME4



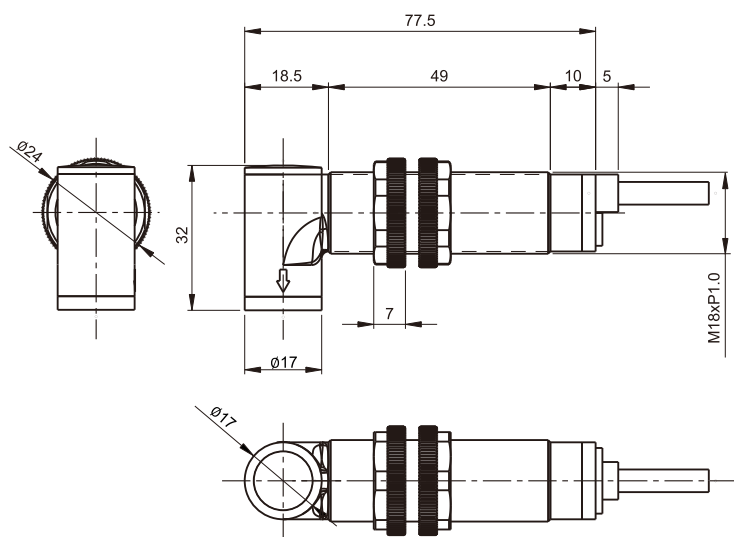
XP-CR10E4



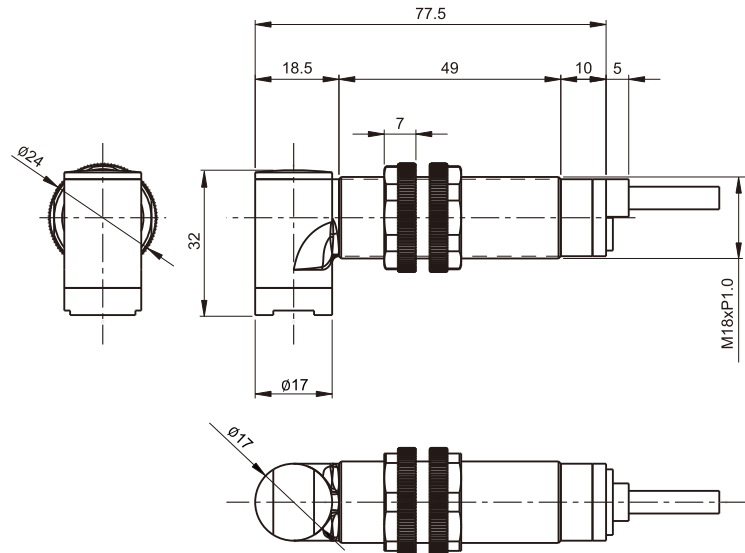
XP-SR200E4 / XP-CR30E4



XP-SP10MSE4

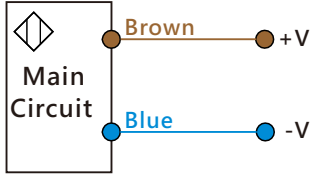


XP-SR200SE4 / XP-CR30SE4 / XP-CR15SE4

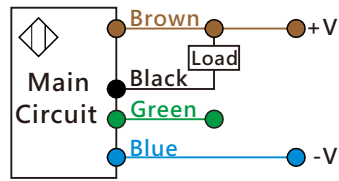


Wiring Diagram

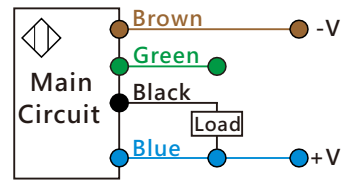
Emitter of Thru-beam



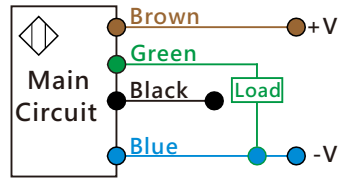
NPN NO Type



NPN NC Type



PNP NO Type



PNP NC Type

