

XP-A Series

- Available with horizontal and vertical installation types.
- With Light ON and Dark ON two systems.
- Good environmental resistance up to IP67.
- Various detection distance and sensing method.

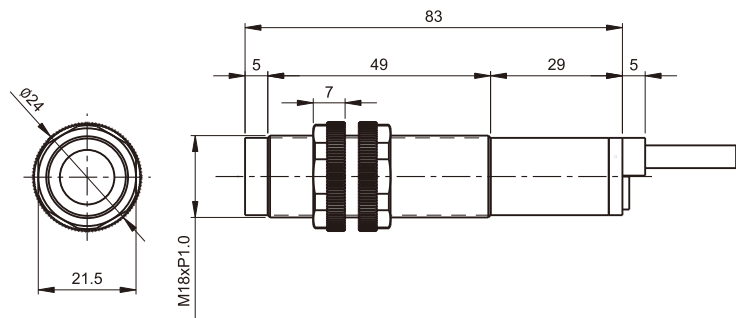


| Item | Specifications | | | |
|-------------------------|--------------------------|-------------|------------------|-------------|
| Model number | XP-SP10MA1 | XP-SP10MA2 | XP-SR200A1 | XP-SR200A2 |
| | XP-SP10MSA1 | XP-SP10MSA2 | XP-SR200SA1 | XP-SR200SA2 |
| Sensing method | Through-beam | | Retro-reflective | |
| Sensing distance | 10M | | 1.5M | |
| Switching output | SCR NO | SCR NC | SCR NO | SCR NC |
| Standard sensing object | Opaque ∅12mm | | Opaque ∅50mm | |
| Model number | XP-CR30A1 | XP-CR30A2 | XP-CR10A1 | XP-CR10A2 |
| | XP-CR30SA1 | XP-CR30SA2 | XP-CR15SA1 | XP-CR15SA2 |
| Sensing method | Diffuse-reflective | | | |
| Sensing distance | 30cm | | 10cm | |
| | | | 15cm | |
| Switching output | SCR NO | SCR NC | SCR NO | SCR NC |
| Standard sensing object | White Paper 120x120mm | | | |
| Operating voltage | AC 24~240V±10% | | | |
| Response time | < 20ms | | | |
| Load current | < 300mA | | | |
| Light source | Infrared LED | | | |
| Operation indicator | Red LED | | | |

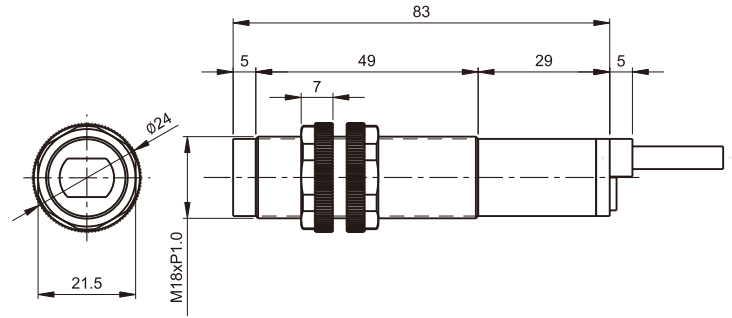
| | |
|--------------------------------------|---|
| Enclosure protection | IEC IP67 |
| Ambient temperature & humidity range | Operating : -20 ~ 55°C / RH 35 ~ 85% (with no icing or condensation) |
| Ambient illumination | Lamplight < 3000 Lux / Sunlight < 10000 Lux |
| Housing material | Case : ABS / Lens : Acrylic |
| Connecting method | Pre-wired 2M Cable |
| Accessories | Mounting bracket · Screws · Nuts Reflector (only for Retro-reflective) |

Dimension

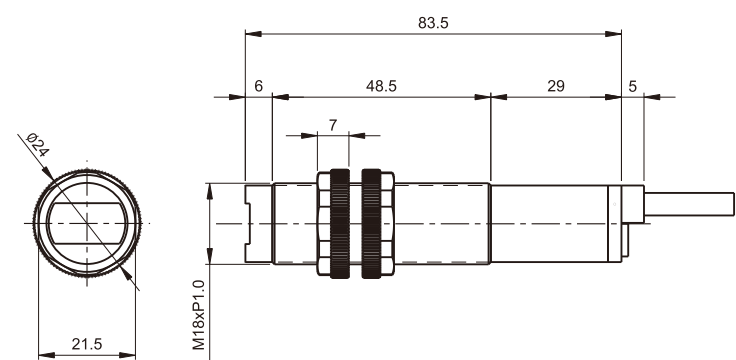
XP-SP10MA□



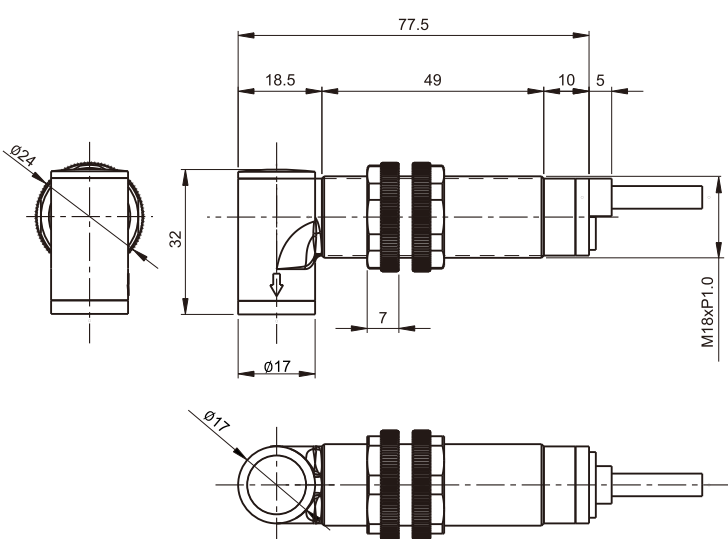
XP-CR10A□



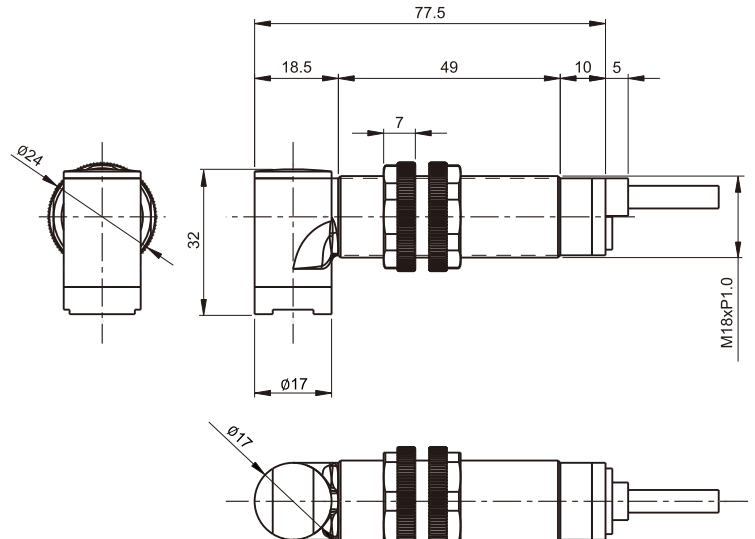
XP-SR200A□ / XP-CR30A□



XP-SP10MSA□



XP-SR200SA□ / XP-CR30SA□ / XP-CR15SA□



Wiring Diagram

Emitter of
Thru-beam

