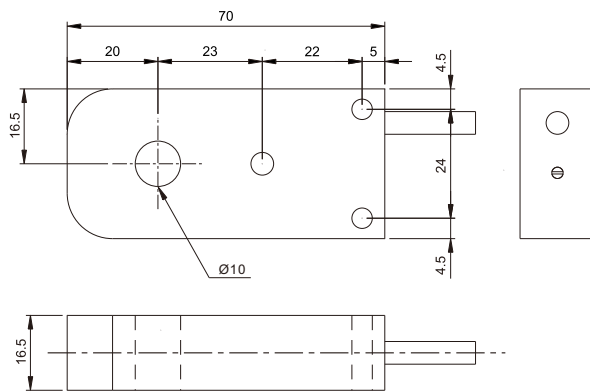


XO Series

- ☪ No-touch operation, high response frequency, wide range application.
- ☪ Reverse polarity and short circuit protection.
- ☪ Variable with cable or connector version, customer-specific versions available.
- ☪ Good environmental resistance up to IP67, all products are CE approved.



IEC IP67

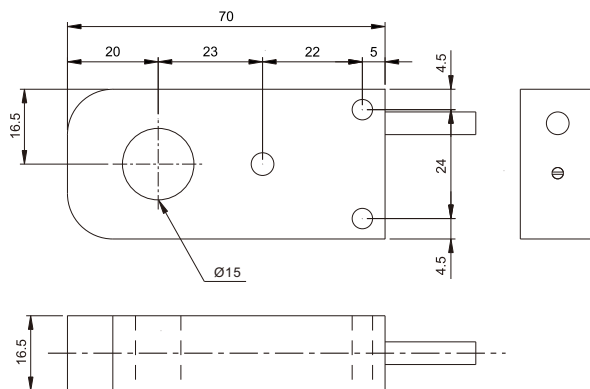


Cable with M12 Plug Connector / ABS

Switching Output	Model Number	Operating Voltage	Response Frequency	Sensing Distance
DC 3-Wire NPN NO	XO-N33N10E1-U	12~24VDC±10%	400Hz	10mm
DC 3-Wire PNP NO	XO-N33P10E1-U			

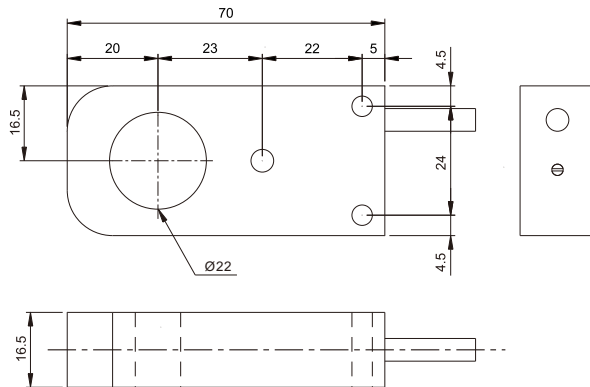


IEC IP67



Cable with M12 Plug Connector / ABS

Switching Output	Model Number	Operating Voltage	Response Frequency	Sensing Distance
DC 3-Wire NPN NO	XO-N33N15E1-U	12~24VDC±10%	100Hz	15mm
DC 3-Wire PNP NO	XO-N33P15E1-U			



IEC IP67

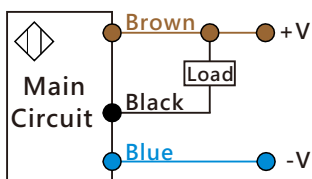
Cable with M12 Plug Connector / ABS

Switching Output	Model Number	Operating Voltage	Response Frequency	Sensing Distance
DC 3-Wire NPN NO	XO-N33N22E1-U	12~24VDC±10%	50Hz	22mm
DC 3-Wire PNP NO	XO-N33P22E1-U			

Item	Specifications
Standard sensing object	Iron shot 2 mm (XO-N33□10 Mode) Iron shot 3 mm (XO-N33□15 Mode) Iron shot 5 mm (XO-N33□22 Mode)
Installation	Unshielded
Load current	≤200mA
Operation indicator	Red LED
Circuits protection	Reversed polarity & Short circuit protection
Ambient temperature & humidity range	Operating : -20 ~ 70°C / RH 35 ~85% (with no icing or condensation)

Wiring Diagram

DC-3wire
NPN NO Type



DC-3wire
PNP NO Type

