

XH-U5 Series

- Ultra slim designed to fit into an aluminum frame.
- The sensing position of detected objects are easily visible.
- Various detection distance 0~1.5M, detection height (100~620mm) and beam-pitch (20/25/40mm).
- Equipped with Light ON and Dark NO two functions.
- Good environmental resistance up to IP65 and all products are CE approved.

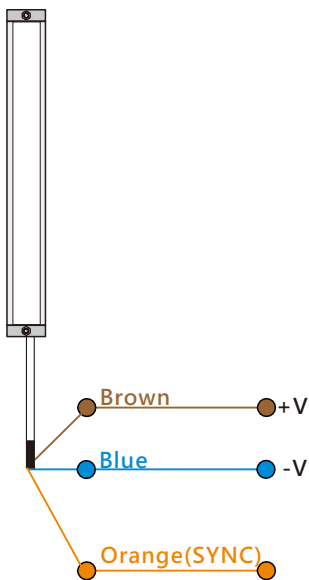


Model Number	Switching output	Sensing Distance	Number of Beams	Beam Pitch	Detection Height	Light Curtain Height															
XH8-2MN-U5	NPN NO & NC	0 ~ 1.5M	8	20mm	140mm	190mm															
XH8-2MP-U5	PNP NO & NC																				
XH12-2MN-U5	NPN NO & NC						12	220mm	270mm												
XH12-2MP-U5	PNP NO & NC																				
XH16-2MN-U5	NPN NO & NC									16	300mm	350mm									
XH16-2MP-U5	PNP NO & NC																				
XH20-2MN-U5	NPN NO & NC												20	380mm	430mm						
XH20-2MP-U5	PNP NO & NC																				
XH24-2MN-U5	NPN NO & NC															24	460mm	510mm			
XH24-2MP-U5	PNP NO & NC																				
XH32-2MN-U5	NPN NO & NC																		32	620mm	670mm
XH32-2MP-U5	PNP NO & NC																				
XH5-2MN-U5	NPN NO & NC	0 ~ 1.5M	5	25mm	100mm	140mm															
XH5-2MP-U5	PNP NO & NC																				
XH8-2MN-U5-40	NPN NO & NC	0 ~ 1.5M	8	40mm	280mm	350mm															
XH8-2MP-U5-40	PNP NO & NC																				
XH12-2MN-U5-40	NPN NO & NC						12	440mm	510mm												
XH12-2MP-U5-40	PNP NO & NC																				
XH16-2MN-U5-40	NPN NO & NC									16	600mm	670mm									
XH16-2MP-U5-40	PNP NO & NC																				

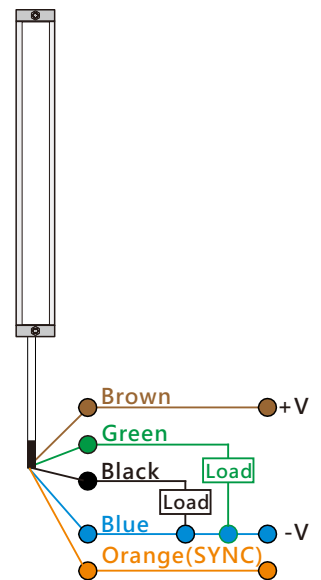
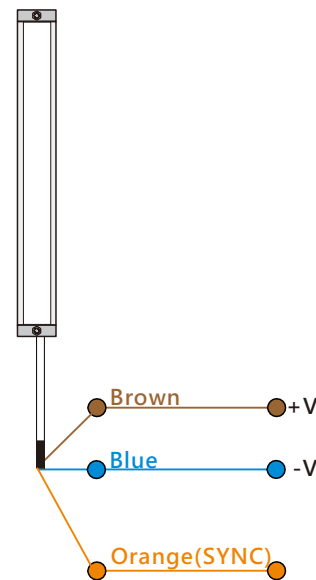
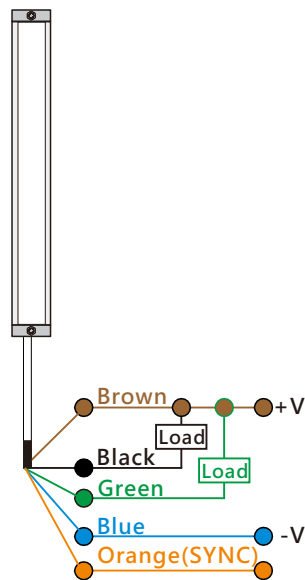
Item	Specifications
Sensing method	Through-beam
Standard sensing object	Beam-Pitch 20mm : Opaque \varnothing 30mm Beam-Pitch 25mm : Opaque \varnothing 35mm Beam-Pitch 40mm : Opaque \varnothing 50mm
Operating voltage	12~24VDC \pm 10%
Response time	< 24ms
Load current	< 200mA
Light source	Infrared LED
Circuits protection	Reversed polarity protection
Enclosure protection	IEC IP65
Ambient temperature & humidity range	Operating : -10 ~ 55 $^{\circ}$ C / RH 35 ~ 85% (with no icing or condensation)
Ambient illumination	Lamplight < 3000 Lux / Sunlight < 10000 Lux
Housing material	Case : Aluminum / Lens : Acrylic
Connecting method	3M PVC Cable
Accessories	Screws

Wiring Diagram

NPN NO&NC Type

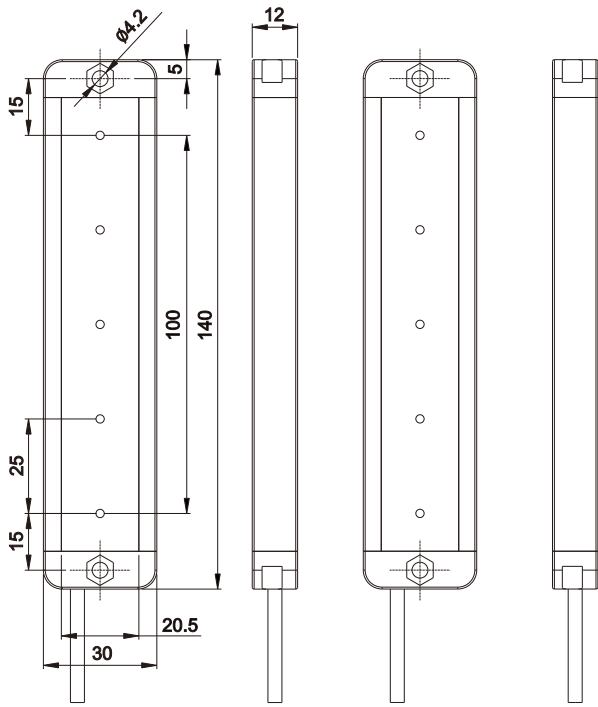


PNP NO&NC Type

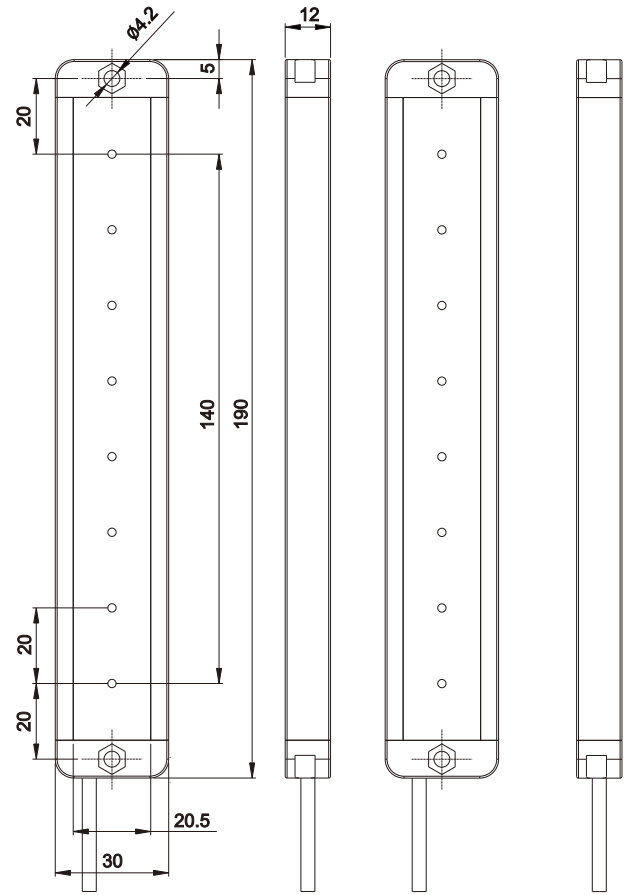


Dimension

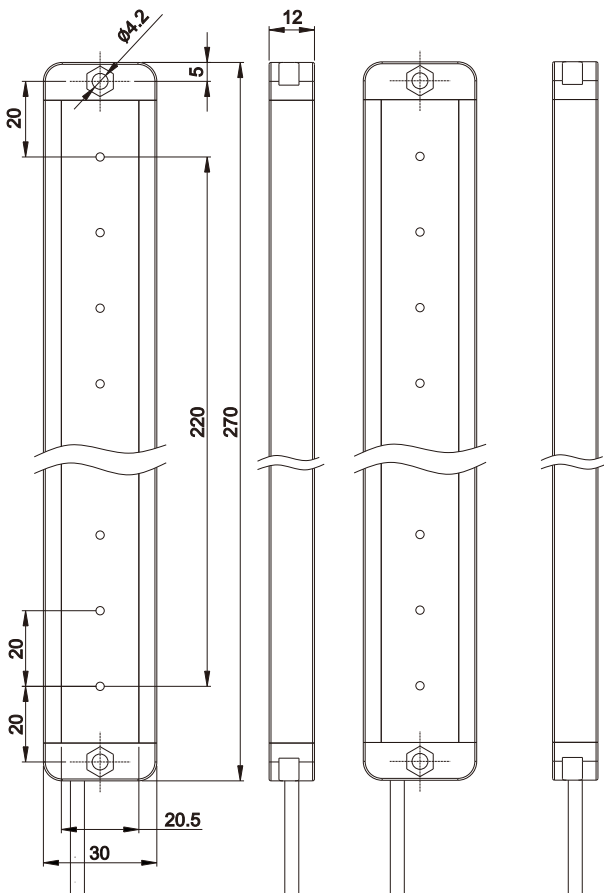
XH5-2M□ -U5



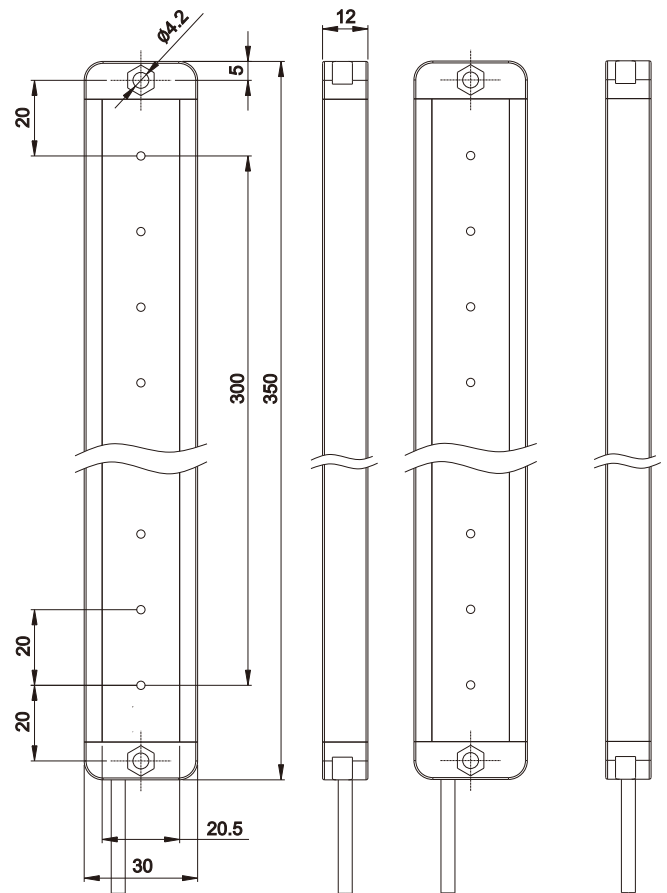
XH8-2M□ -U5



XH12-2M□ -U5

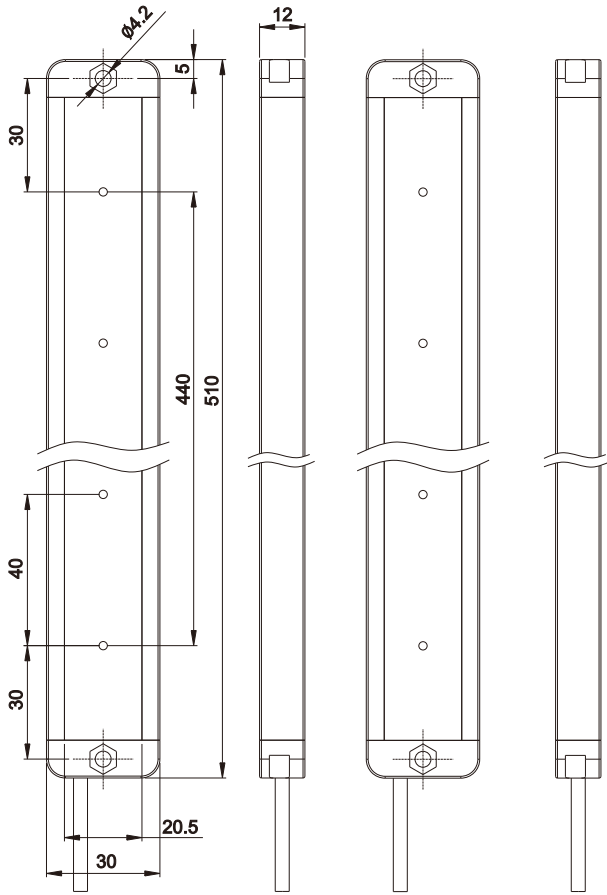


XH16-2M□ -U5



Dimension

XH12-2M□ -U5-40



XH16-2M□ -U5-40

