

XG-SP2M Series

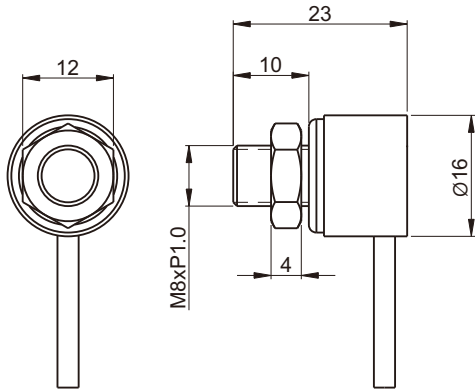
- 🌀 Tiny designed with built-in amplifier, for tiny objects detection.
- 🌀 Good environmental resistance and excellent anti noise.
- 🌀 With Light ON and Dark NO two systems.
- 🌀 All product are CE approved.



<u>Item</u>	<u>Specifications</u>			
Model number	XG-SP2MNE1	XG-SP2MNE2	XG-SP2MPE1	XG-SP2MPE2
Sensing method	Through-beam			
Sensing distance	2M			
Switching output	NPN NO	NPN NC	PNP NO	PNP NC
Standard sensing object	Opaque Ø6mm			
Operating voltage	DC 12~24V±10%			
Response time	< 5ms			
Load current	< 100mA			
Light source	Infrared LED			
Operation indicator	Red LED			
Circuits protection	Reversed polarity protection			
Enclosure protection	IEC IP65			
Ambient temperature & humidity range	Operating : -20 ~ 55°C / RH 35 ~ 85% (with no icing or condensation)			
Ambient illumination	Lamplight < 3000 Lux / Sunlight < 10000 Lux			

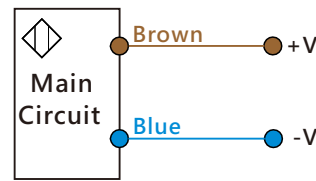
Housing material	Case : Nickel-Plated Brass / Lens : Acrylic
Connecting method	Pre-wired 2M Cable
Accessories	Nuts

Dimension

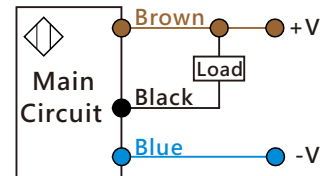


Wiring Diagram

Emitter of Thru-beam



NPN NO/NC Type



PNP NO/NC Type

