

XF Series

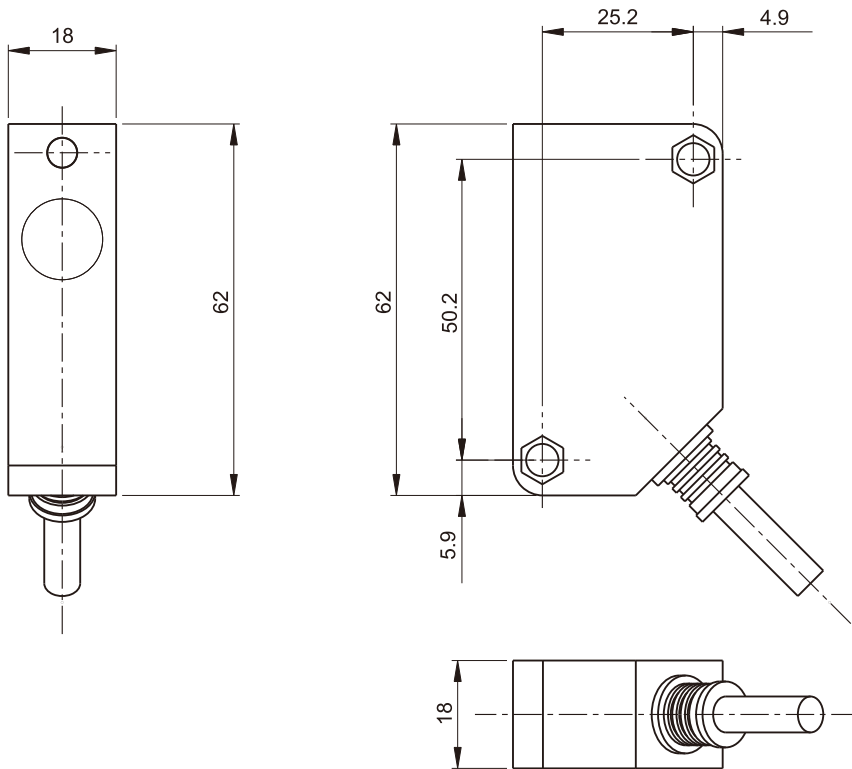
- ☪ Multi-voltage photoelectric sensor with built-in amplifier.
- ☪ Operating voltage at 24~240V AC/DC, relay switch output.
- ☪ Good environmental resistance up to IP67.
- ☪ All products are CE approved.



Item	Specifications			
Model number	XF-SP10MA2	XF-SP20MA2	XF-SP10MR2	XF-SP20MR2
Sensing method	Through-beam			
Sensing distance	10M	20M	10M	20M
Switching output	Relay Output 1C.			
Standard sensing object	Opaque Ø20mm	Opaque Ø25mm	Opaque Ø20mm	Opaque Ø25mm
Operating voltage	24~240VAC/DC±10%		24VAC/DC±10%	
Response time	< 10ms			
Load current	250VAC/1A · 24VDC/1A			
Light source	Infrared LED			
Operation indicator	Red LED			
Enclosure protection	IEC IP67			
Ambient temperature & humidity range	Operating : -20 ~ 55°C / RH 35 ~ 85% (with no icing or condensation)			
Ambient illumination	Lamplight < 3000 Lux / Sunlight < 10000 Lux			
Housing material	Case : PBT / Lens : Acrylic			

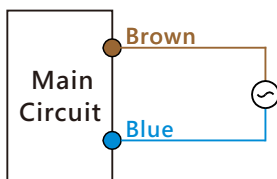
Connecting method	Pre-wired 2M Cable
Accessories	Mounting bracket 、Screws

Dimension



Wiring Diagram

Emitter of Thru-beam



Relay output Type

