

XE Series

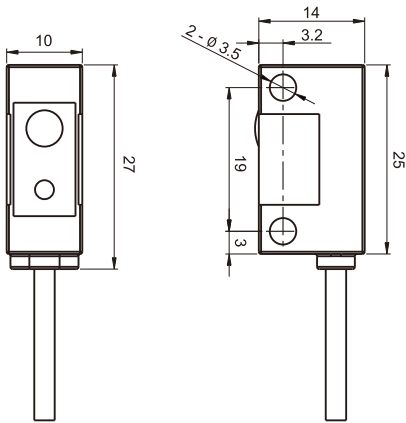
- 🌀 Tiny designed with built-in amplifier, for tiny objects detection.
- 🌀 Good environmental resistance and excellent anti noise.
- 🌀 With Light ON and Dark NO two systems.
- 🌀 All product are CE approved.



<u>Item</u>	<u>Specifications</u>							
Model number	XE-SP50NE1	XE-SP50NE2	XE-SP50PE1	XE-SP50PE2	XE-SP2MNE1	XE-SP2MNE2	XE-SP2MPE1	XE-SP2MPE2
Sensing method	Through-beam							
Sensing distance	50cm				2M			
Switching output	NPN NO	NPN NC	PNP NO	PNP NC	NPN NO	NPN NC	PNP NO	PNP NC
Standard sensing object	Opaque Ø3mm				Opaque Ø7mm			
Operating voltage	DC 12~24V±10%							
Response time	<5ms							
Load current	<100mA							
Light source	Infrared LED							
Operation indicator	Red LED							
Circuits protection	Reversed polarity protection							
Enclosure protection	IEC IP64							
Ambient temperature & humidity range	Operating : -20 ~ 55°C / RH 35 ~85% (with no icing or condensation)							
Ambient illumination	Lamplight<3000 Lux / Sunlight<10000 Lux							

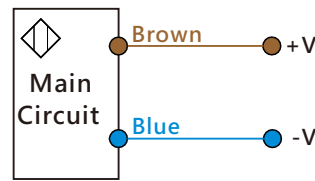
Housing material	Case : ABS / Lens : Acrylic
Connecting method	Pre-wired 2M Cable
Accessories	Mounting bracket 、Screws

Dimension

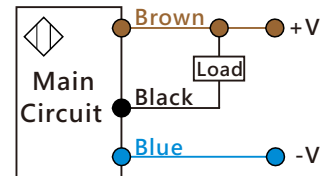


Wiring Diagram

Emitter of Thru-beam



NPN NO/NC Type



PNP NO/NC Type

