

XD Series

- ⌚ Equipped with sensitivity adjuster, excellent sensitivity.
- ⌚ With Light ON and Dark ON two functions.
- ⌚ Good environmental resistance and excellent anti noise.
- ⌚ All products are CE approved.

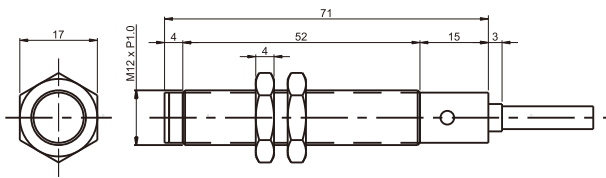


Item	Specifications					
Model number	XD-SR1.2MN			XD-SR1.2MP		
Sensing method	Retro-reflective					
Sensing distance	1.2M					
Switching output	NPN NO & NC			PNP NO & NC		
Standard sensing object	Opaque ∅30mm					
Model number	XD-CR40N	XD-CR40P	XD-CR15N	XD-CR15P	XD-CR08N	XD-CR08P
Sensing method	Diffuse-reflective					
Sensing distance	40cm		15cm		8cm	
Switching output	NPN NO & NC	PNP NO & NC	NPN NO & NC	PNP NO & NC	NPN NO & NC	PNP NO & NC
Standard sensing object	White Paper 120x120mm		White Paper 80x80mm			
Operating voltage	DC 12~24V±10%					
Response time	< 5ms					
Load current	XD-SR1.2M□、XD-CR15□、XD-CR08□ < 100mA XD-CR40□ < 200mA					
Sensitivity adjustment	Sensitivity adjuster					

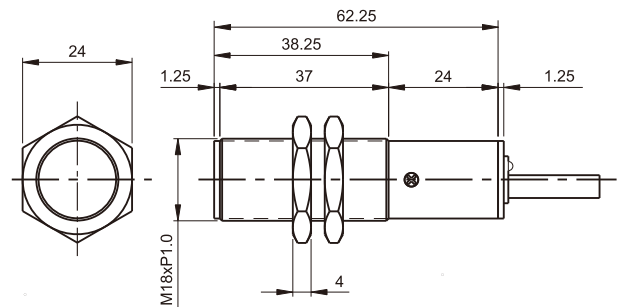
Light source	Infrared LED
Operation indicator	Red LED
Circuits protection	Short circuit protection
Enclosure protection	IEC IP65
Ambient temperature & humidity range	Operating : -20 ~ 55°C / RH 35 ~85% (with no icing or condensation)
Ambient illumination	Lamplight < 3000 Lux / Sunlight < 10000 Lux
Housing material	Case : Nickel-Plated Brass / Lens : Acrylic
Connecting method	Pre-wired 2M Cable
Accessories	Nuts · Adjustment screwdriver Reflector (only for Retro-reflective)

Dimension

XD-SR1.2M□ / XD-CR15□ / XD-CR08□

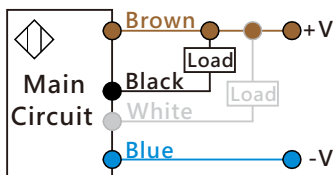


XD-CR40□



Wiring Diagram

NPN NO&NC Type



PNP NO&NC Type

