

XB Series

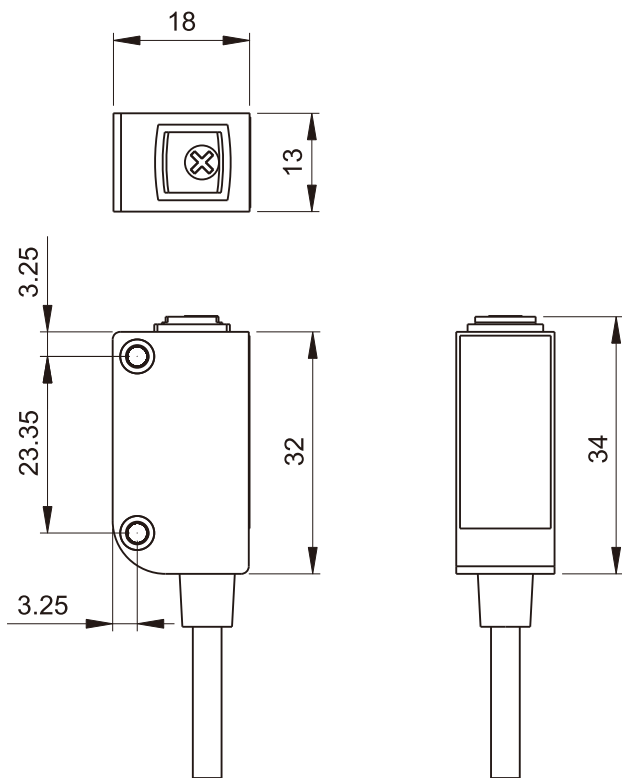
- 🌀 Tiny designed with built-in amplifier, for tiny objects detection.
- 🌀 Equipped with sensitivity adjuster, excellent sensitivity.
- 🌀 With Light ON and Dark NO two functions.
- 🌀 All product are CE approved.



<u>Item</u>	<u>Specifications</u>							
Model number	XB-SP8MN		XB-SP8MP		XB-SR3MN		XB-SR3MP	
Sensing method	Through-beam				Retro-reflective			
Sensing distance	8M				3M			
Switching output	NPN NO & NC		PNP NO & NC		NPN NO & NC		PNP NO & NC	
Standard sensing object	Opaque Ø15mm				Opaque Ø75mm			
Model number	XB-CR50N	XB-CR50P	XB-CR25N	XB-CR25P	XB-CR10N	XB-CR10P		
Sensing method	Diffuse-reflective							
Sensing distance	50cm		25cm		10cm			
Switching output	NPN NO & NC	PNP NO & NC	NPN NO & NC	PNP NO & NC	NPN NO & NC	PNP NO & NC		
Standard sensing object	White Paper 200x200mm		White Paper 100x100mm		White Paper 80x80mm			
Operating voltage	DC 12~24V±10%							
Response time	< 5ms							
Load current	< 100mA							
Light source	Infrared LED							
Operation indicator	Red LED							
Circuits protection	Reversed polarity & Short circuit protection							

Enclosure protection	IEC IP65
Ambient temperature & humidity range	Operating : -20 ~ 55°C / RH 35 ~85% (with no icing or condensation)
Ambient illumination	Lamplight < 3000 Lux / Sunlight < 10000 Lux
Housing material	Case : ABS / Lens : Acrylic
Connecting method	Pre-wired 2M Cable
Accessories	Screws · Adjustment screwdriver Reflector (only for Retro-reflective)

Dimension



Wiring Diagram

