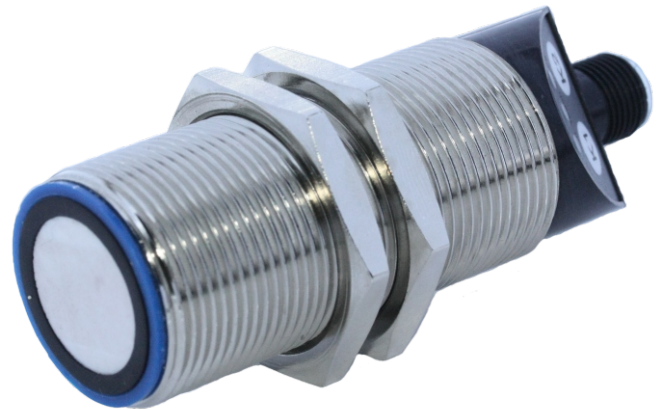


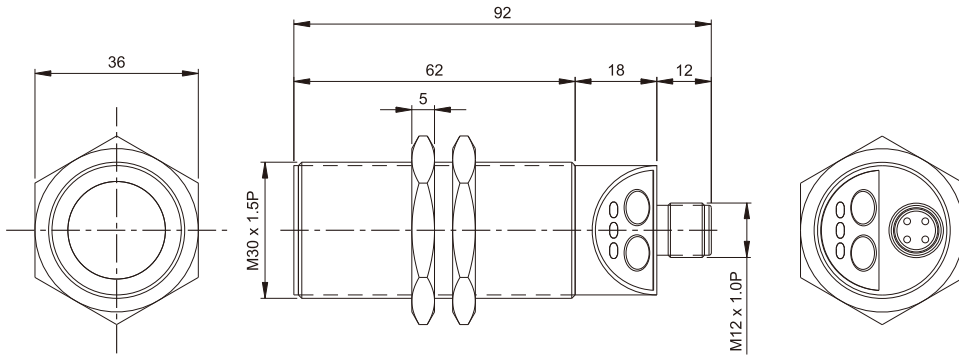
X8 Series

- Ensure the stable detection of a variety of objects regardless of the color, transparency, glass, material or non-material.
- Teach-in button set up, can provide outstanding background suppression to detect objects reliably.
- With NPN and PNP switch output.
- IP65 protection, high immunity to dirty, dust and fog.



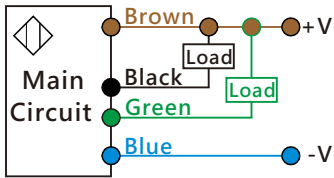
<u>Item</u>	<u>Specifications</u>	
Model number	X8-CR1.2MN-V	X8-CR1.2MP-V
Sensing distance	20 ~ 120cm	
Switching output	NPN NO & NC	PNP NO & NC
Standard sensing object	Plate glass 200x200mm	
Operating voltage	DC 18~24V±10%	
Response time	<200ms	
Load current	<200mA	
Ultrasonic frequency	112kHz	
Hysteresis	20mm	
Operation indicator	Yellow LED	
Circuits protection	Reversed polarity & Short circuit protection	
Enclosure protection	IEC IP65	
Ambient temperature & humidity range	Operating : -20 ~ 70°C / RH 35 ~85% (with no icing or condensation)	
Housing material	Case : Nickel-Plated Brass / Lens : PBT	
Connecting method	M12 Plug connector	
Accessories	Nuts	

Dimension



Wiring Diagram

NPN NO&NC Type



PNP NO&NC Type

