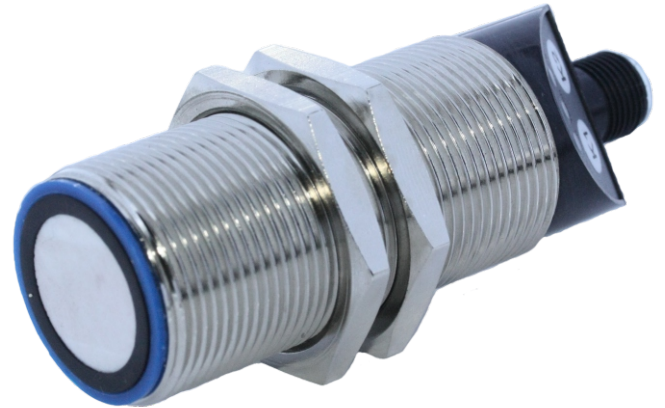


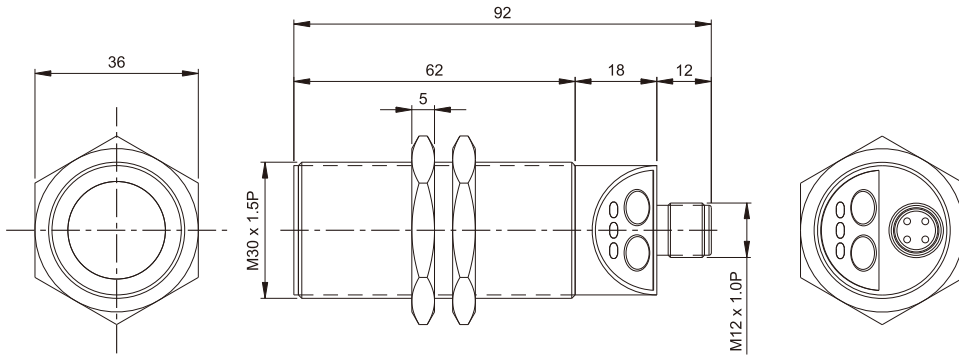
X8 Series

- ⊙ Ensure the stable detection of a variety of objects regardless of the color, transparency, glass, material or non-material.
- ⊙ Teach-in button set up, can provide outstanding background suppression to detect objects reliably.
- ⊙ With analog (0~10V / 4~20mA) switch output.
- ⊙ IP65 protection, high immunity to dirty, dust and fog.



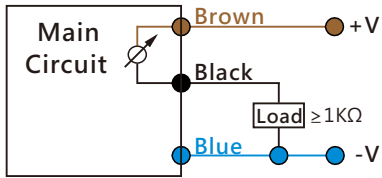
Item	Specifications	
Model number	X8-CR1.2MVP-V	X8-CR1.2MIP-V
Sensing distance	20 ~ 120cm	
Switching output	0 ~ 10V	4 ~ 20mA
Standard sensing object	Plate glass 200x200mm	
Operating voltage	DC 18~24V±10%	
Response time	< 200ms	
Ultrasonic frequency	112kHz	
Hysteresis	20mm	
Operation indicator	Yellow LED	
Circuits protection	Reversed polarity & Short circuit protection	
Enclosure protection	IEC IP65	
Ambient temperature & humidity range	Operating : -20 ~ 70°C / RH 35 ~85% (with no icing or condensation)	
Housing material	Case : Nickel-Plated Brass / Lens : PBT	
Connecting method	M12 Plug connector	
Accessories	Nuts	

Dimension



Wiring Diagram

Analog voltage output type



Analog current output type

