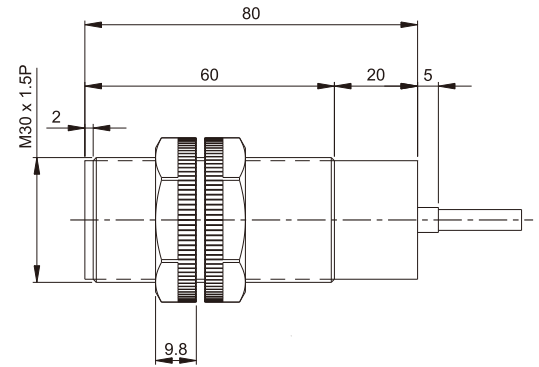
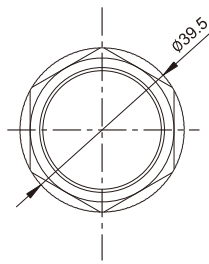


M30 Series

- Can detect metal, non-metal, glass, liquid, plastic, silicone chip, powder...etc.
- Variety of specification, switching output and wide range application.
- Equipped with sensitivity adjuster which can set distance effectively.
- Good environmental resistance up to IP67 and all products are CE approved.



IEC IP67

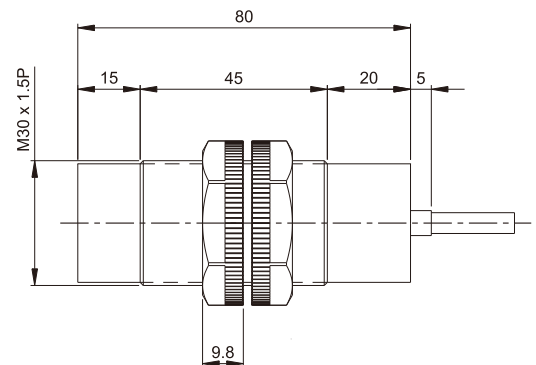
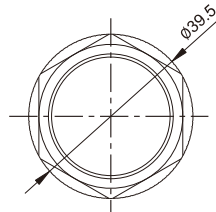


Pre-wired 2M Cable / PBT

Switching Output	Model Number	Operating Voltage	Response Frequency	Sensing Distance
DC 3-Wire NPN NO	TLK-F30N15E1	12~24VDC±10%	25Hz	15mm
DC 3-Wire PNP NO	TLK-F30P15E1			
AC 2-Wire SCR NO	TLK-F30A15E1	24~240VAC±10%	10Hz	



IEC IP67



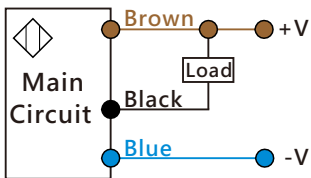
Pre-wired 2M Cable / PBT

Switching Output	Model Number	Operating Voltage	Response Frequency	Sensing Distance
DC 3-Wire NPN NO	TLK-N30N22E1	12~24VDC±10%	15Hz	22mm
DC 3-Wire PNP NO	TLK-N30P22E1			

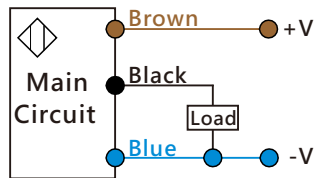
Item	Specifications
Standard sensing object	Iron, 36×36×1 mm (TLK-F30 Mode) Iron, 60×60×1 mm (TLK-N30 Mode)
Installation	Shielded (TLK-F30 Mode) Unshielded (TLK-N30 Mode)
Load current	DC 3 Wire $\leq 200\text{mA}$ · AC 2 Wire $\leq 300\text{mA}$
Operation indicator	Red LED
Circuits protection	Short circuit protection
Ambient temperature & humidity range	Operating : -20 ~ 70°C / RH 35 ~ 85% (with no icing or condensation)

Wiring Diagram

DC-3wire
NPN NO Type



DC-3wire
PNP NO Type



AC-2wire
NO Type

