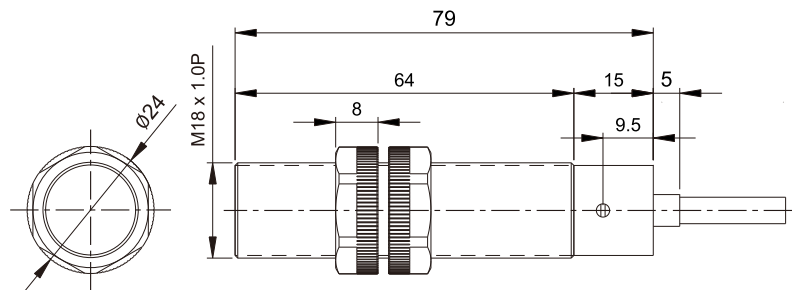


M18 Series

- Can detect metal, non-metal, glass, liquid, plastic, silicone chip, powder...etc.
- Variety of specification, switching output and wide range application.
- Equipped with sensitivity adjuster which can set distance effectively.
- Good environmental resistance up to IP67 and all products are CE approved.



IEC IP67

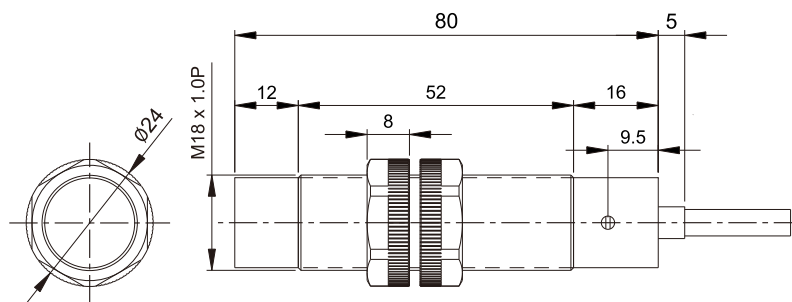


Pre-wired 2M Cable / PBT

Switching Output	Model Number	Operating Voltage	Response Frequency	Sensing Distance
DC 3-Wire NPN NO	TLK-F18N08E1	12~24VDC±10%	30Hz	8mm
DC 3-Wire PNP NO	TLK-F18P08E1			
AC 2-Wire SCR NO	TLK-F18A08E1	24~240VAC±10%	10Hz	



IEC IP67



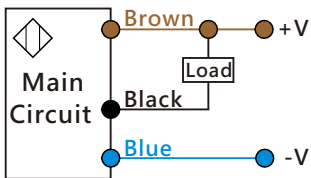
Pre-wired 2M Cable / PBT

Switching Output	Model Number	Operating Voltage	Response Frequency	Sensing Distance
DC 3-Wire NPN NO	TLK-N18N12E1	12~24VDC±10%	15Hz	12mm
DC 3-Wire PNP NO	TLK-N18P12E1			

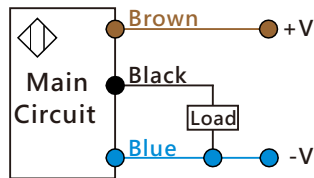
Item	Specifications
Standard sensing object	Iron, 24×24×1 mm (TLK-F18 Mode) Iron, 36×36×1 mm (TLK-N18 Mode)
Installation	Shielded (TLK-F18 Mode) Unshielded (TLK-N18 Mode)
Load current	DC 3 Wire ≤200mA · AC 2 Wire ≤300mA
Operation indicator	Red LED
Circuits protection	Short circuit protection
Ambient temperature & humidity range	Operating : -20 ~ 70℃ / RH 35 ~85% (with no icing or condensation)

Wiring Diagram

DC-3wire
NPN NO Type



DC-3wire
PNP NO Type



AC-2wire
NO Type

