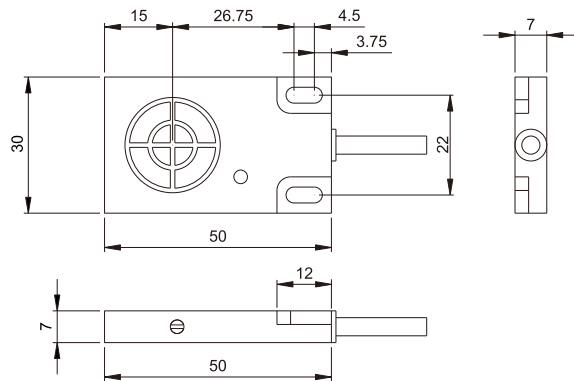


Compact Series

- Can detect metal, non-metal, glass, liquid, plastic, silicone chip, powder...etc.
- Variety of specification, switching output and wide range application.
- Equipped with sensitivity adjuster which can set distance effectively.
- Good environmental resistance up to IP67 and all products are CE approved.



IEC IP66

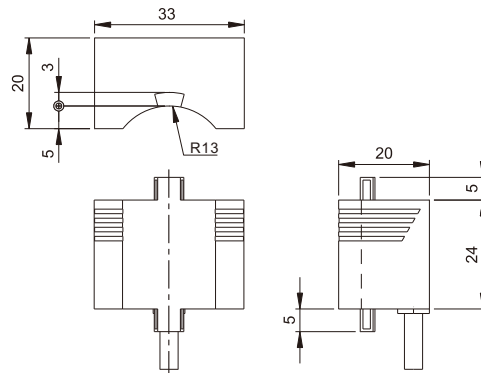


Pre-wired 2M Cable / PBT

Switching Output	Model Number	Operating Voltage	Response Frequency	Sensing Distance
DC 3-Wire NPN NO	TLK-F07NS06E1	12~24VDC±10%	50Hz	2~6mm
DC 3-Wire PNP NO	TLK-F07PS06E1			
DC 3-Wire NPN NO	TLK-N07NS10E1	12~24VDC±10%	25Hz	2~10mm
DC 3-Wire PNP NO	TLK-N07PS10E1			



IEC IP67



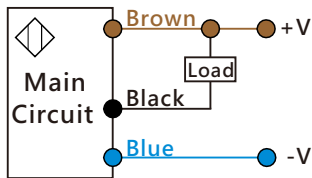
Pre-wired 2M Cable / ABS

Switching Output	Model Number	Operating Voltage	Response Frequency	Sensing Distance
DC 3-Wire NPN NO	TLK-F33N03E1	12~24VDC±10%	50Hz	3mm
DC 3-Wire NPN NC	TLK-F33N03E2			
DC 3-Wire PNP NO	TLK-F33P03E1			

Item	Specifications
Standard sensing object	Iron, 30×30×1 mm (TLK-F07 Mode) Iron, 36×36×1 mm (TLK-N07 Mode) Iron, 13×13×1 mm (TLK-F33 Mode)
Installation	Shielded (TLK-F07 · TLK-F33 Mode) Unshielded (TLK-N07 Mode)
Load current	≤100mA
Operation indicator	Red LED
Circuits protection	Short circuit protection
Ambient temperature & humidity range	Operating : -20 ~ 70°C / RH 35 ~85% (with no icing or condensation)

Wiring Diagram

DC-3wire
NPN NO/NC Type



DC-3wire
PNP NO Type

