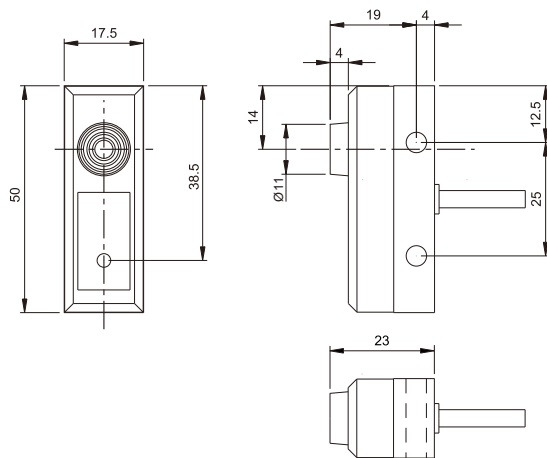


### TL Series

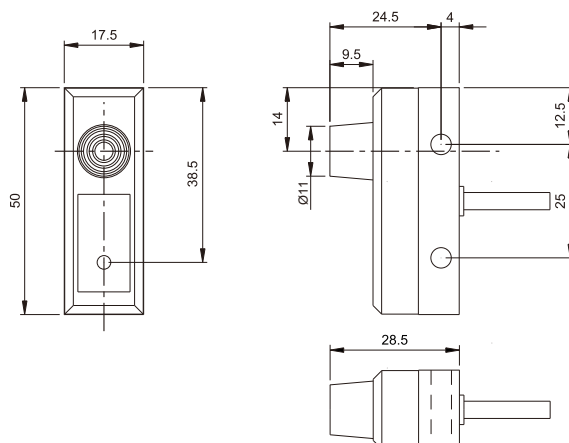
- ⌚ No-touch operation, high response frequency, wide range application.
- ⌚ Reverse polarity and short circuit protection.
- ⌚ Variable with cable or connector version, customer-specific versions available.
- ⌚ Good environmental resistance up to IP67, all products are CE approved.



IEC IP67

Pre-wired 2M Cable / ABS

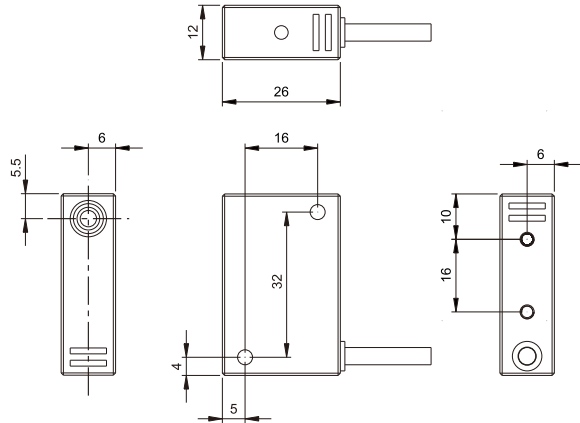
Switching Output	Model Number	Operating Voltage	Response Frequency	Sensing Distance
DC 3-Wire NPN NO	TL-17N02E1	12~24VDC±10%	1000Hz	2mm
DC 3-Wire NPN NC	TL-17N02E2			
DC 3-Wire PNP NO	TL-17P02E1			
DC 3-Wire PNP NC	TL-17P02E2			
DC 2-Wire NPN/PNP NO	XPD-17D02E1	24~240VAC±10%	25Hz	
AC 2-Wire SCR NO	XPD-17A02E1			
AC 2-Wire SCR NC	XPD-17A02E2			



IEC IP67

Pre-wired 2M Cable / ABS

Switching Output	Model Number	Operating Voltage	Response Frequency	Sensing Distance
DC 3-Wire NPN NO	TL-17N04E1	12~24VDC±10%	600Hz	4mm
DC 3-Wire NPN NC	TL-17N04E2			
DC 3-Wire PNP NO	TL-17P04E1			
DC 3-Wire PNP NC	TL-17P04E2			
DC 2-Wire NPN/PNP NO	XPD-17D04E1	24~240VAC±10%	25Hz	
AC 2-Wire SCR NO	XPD-17A04E1			
AC 2-Wire SCR NC	XPD-17A04E2			



IEC IP67

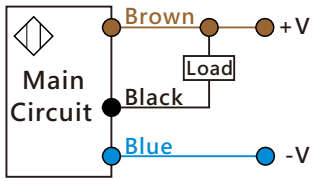
Pre-wired 2M Cable / ABS

Switching Output	Model Number	Operating Voltage	Response Frequency	Sensing Distance
DC 3-Wire NPN NO	TL-T2NE1	12~24VDC±10%	1000Hz	2mm
DC 3-Wire NPN NC	TL-T2NE2			
DC 3-Wire PNP NO	TL-T2PE1			
DC 3-Wire PNP NC	TL-T2PE2			
DC 2-Wire NPN/PNP NO	XPD-T2DE1	12~24VDC±10%	600Hz	4mm
DC 3-Wire NPN NO	TL-T4NE1			
DC 3-Wire NPN NC	TL-T4NE2			
DC 3-Wire PNP NO	TL-T4PE1			
DC 3-Wire PNP NC	TL-T4PE2			
DC 2-Wire NPN/PNP NO	XPD-T4DE1			

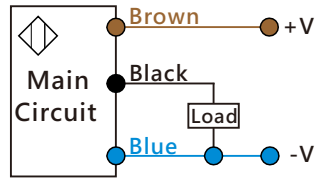
Item	Specifications
Standard sensing object	Iron, 12×12×1 mm
Installation	Unshielded (TL-17□04、XPD-17□04、TL-T4、XPD-T4 Mode) Shielded (TL-17□02、XPD-17□02、TL-T2、XPD-T2 Mode)
Load current	DC 3 Wire ≤ 200mA、DC 2 Wire ≤ 100mA AC 2 Wire ≤ 300mA
Operation indicator	Red LED
Circuits protection	Reversed polarity & Short circuit protection
Ambient temperature & humidity range	Operating : -20 ~ 70℃ / RH 35 ~ 85% (with no icing or condensation)

# Wiring Diagram

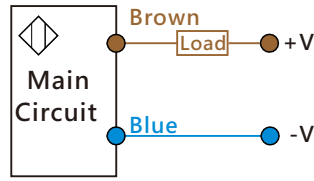
DC-3wire  
NPN NO/NC Type



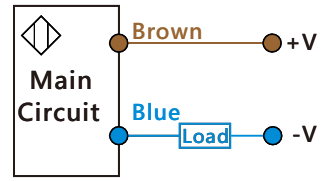
DC-3wire  
PNP NO/NC Type



DC-2wire  
NPN NO Type



DC-2wire  
PNP NO Type



AC-2wire  
NO/NC Type

