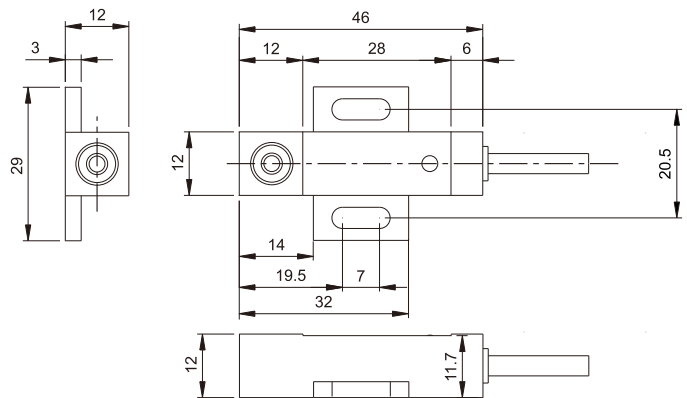


TL Series

- ⦿ No-touch operation, high response frequency, wide range application.
- ⦿ Reverse polarity and short circuit protection.
- ⦿ Variable with cable or connector version, customer-specific versions available.
- ⦿ Good environmental resistance up to IP67, all products are CE approved.



IEC IP67

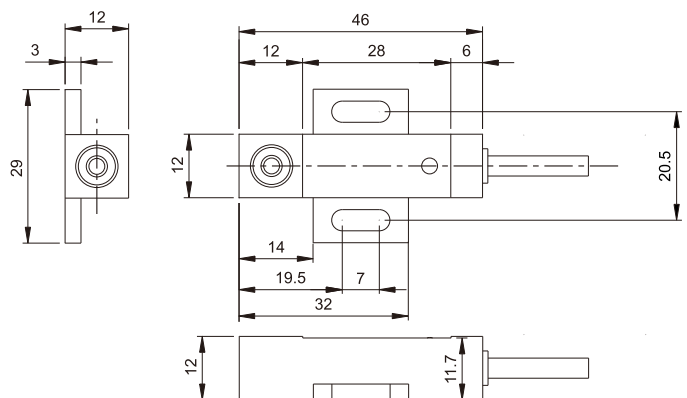


Pre-wired 2M Cable / ABS

Switching Output	Model Number	Operating Voltage	Response Frequency	Sensing Distance
DC 3-Wire NPN NO	TL-12.4NE1	12~24VDC±10%	600Hz	4mm
DC 3-Wire NPN NC	TL-12.4NE2			
DC 3-Wire PNP NO	TL-12.4PE1			
DC 3-Wire PNP NC	TL-12.4PE2			

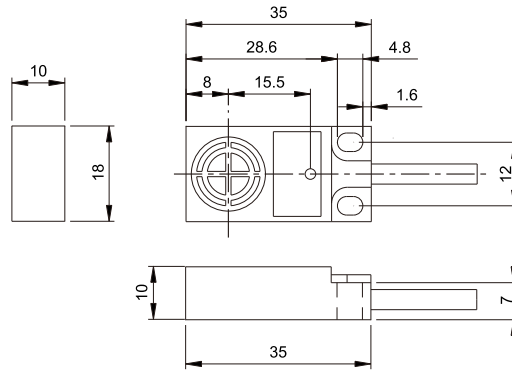


IEC IP67



Pre-wired 2M Cable / ABS

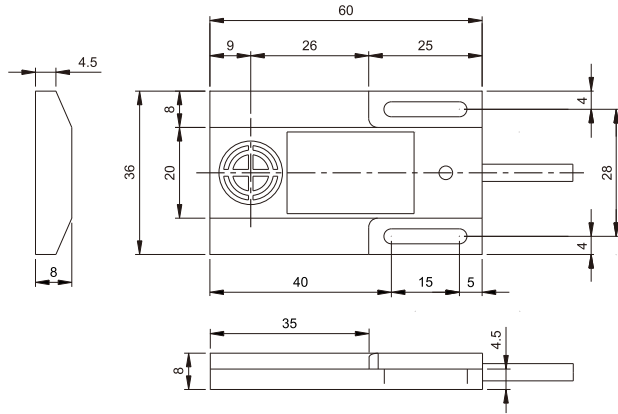
Switching Output	Model Number	Operating Voltage	Response Frequency	Sensing Distance
DC 3-Wire NPN NO	TL-12.4NSE1	12~24VDC±10%	600Hz	4mm
DC 3-Wire NPN NC	TL-12.4NSE2			
DC 3-Wire PNP NO	TL-12.4PSE1			
DC 3-Wire PNP NC	TL-12.4PSE2			



IEC IP67

Pre-wired 2M Cable / ABS

Switching Output	Model Number	Operating Voltage	Response Frequency	Sensing Distance
DC 3-Wire NPN NO	TL-18.5NSE1	12~24VDC±10%	600Hz	5mm
DC 3-Wire NPN NC	TL-18.5NSE2			
DC 3-Wire PNP NO	TL-18.5PSE1			
DC 3-Wire PNP NC	TL-18.5PSE2			
DC 2-Wire NPN/PNP NO	XPC-18.5DSE1			



IEC IP67

Pre-wired 2M Cable / ABS

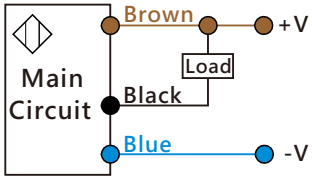
Switching Output	Model Number	Operating Voltage	Response Frequency	Sensing Distance
DC 3-Wire NPN NO	TL-36.5NSE1	12~24VDC±10%	600Hz	5mm
DC 3-Wire NPN NC	TL-36.5NSE2			
DC 3-Wire PNP NO	TL-36.5PSE1			
DC 3-Wire PNP NC	TL-36.5PSE2			
DC 2-Wire NPN/PNP NO	XPC-36.5DSE1			

Item	Specifications
Standard sensing object	Iron, 12×12×1 mm (TL-12.4 Mode) Iron, 18×18×1 mm (TL-18.5 · TL-36.5 · XPC-18.5 · XPC-36.5 Mode)
Installation	Unshielded
Load current	DC 3 Wire ≤200mA · DC 2 Wire ≤100mA
Operation indicator	Red LED
Circuits protection	Reversed polarity & Short circuit protection

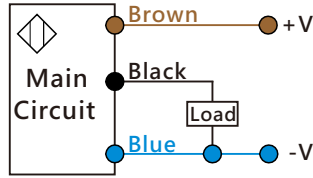
Ambient temperature & humidity range	Operating : -20 ~ 70°C / RH 35 ~ 85% (with no icing or condensation)
--------------------------------------	---

Wiring Diagram

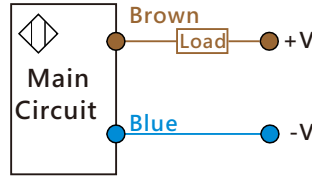
DC-3wire
NPN NO/NC Type



DC-3wire
PNP NO/NC Type



DC-2wire
NPN NO Type



DC-2wire
PNP NO Type

