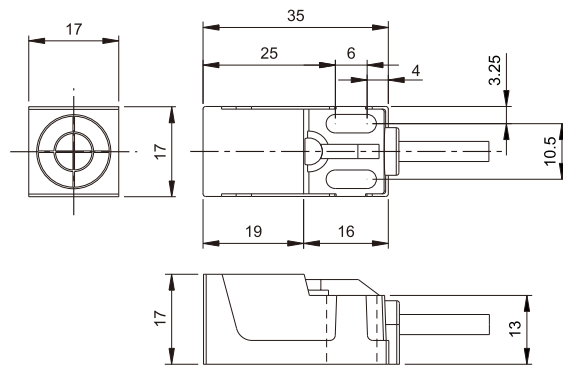


TL Series

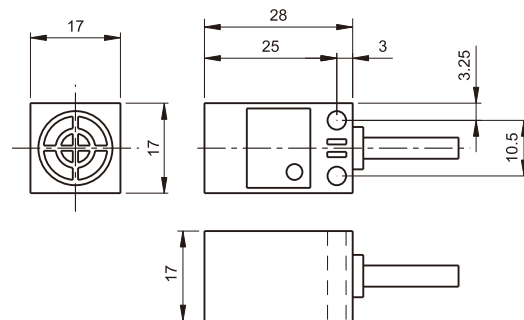
- ⌚ No-touch operation, high response frequency, wide range application.
- ⌚ Reverse polarity and short circuit protection.
- ⌚ Variable with cable or connector version, customer-specific versions available.
- ⌚ Good environmental resistance up to IP67, all products are CE approved.



IEC IP67

Pre-wired 2M Cable / ABS

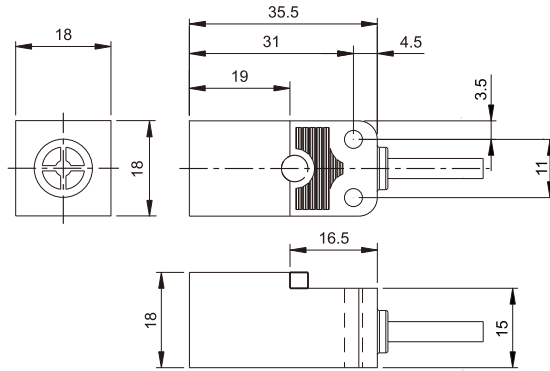
Switching Output	Model Number	Operating Voltage	Response Frequency	Sensing Distance
DC 3-Wire NPN NO	TL-E5NE1	12~24VDC±10%	600Hz	5mm
DC 3-Wire NPN NC	TL-E5NE2			
DC 3-Wire PNP NO	TL-E5PE1			
DC 3-Wire PNP NC	TL-E5PE2			



IEC IP67

Pre-wired 2M Cable / ABS

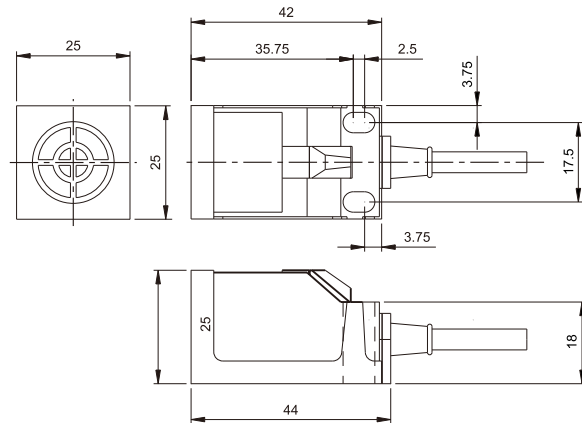
Switching Output	Model Number	Operating Voltage	Response Frequency	Sensing Distance
DC 3-Wire NPN NO	TL-B5NE1	12~24VDC±10%	600Hz	5mm
DC 3-Wire NPN NC	TL-B5NE2			
DC 3-Wire PNP NO	TL-B5PE1			
DC 3-Wire PNP NC	TL-B5PE2			



IEC IP67

Pre-wired 2M Cable / ABS

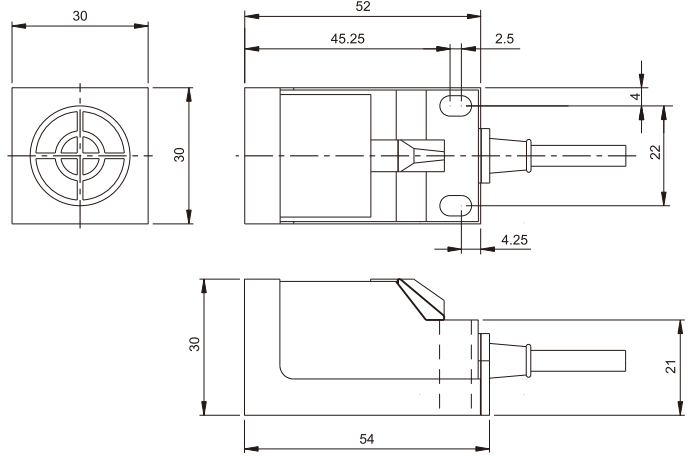
Switching Output	Model Number	Operating Voltage	Response Frequency	Sensing Distance
DC 3-Wire NPN NO	TL-18N04E1	12~24VDC±10%	600Hz	4mm
DC 3-Wire NPN NC	TL-18N04E2			
DC 3-Wire PNP NO	TL-18P04E1			
DC 3-Wire PNP NC	TL-18P04E2			
DC 2-Wire NPN/PNP NO	XPC-18D04E1	24~240VAC±10%	25Hz	
AC 2-Wire SCR NO	XPC-18A04E1			
AC 2-Wire SCR NC	XPC-18A04E2			



IEC IP67

Pre-wired 2M Cable / ABS

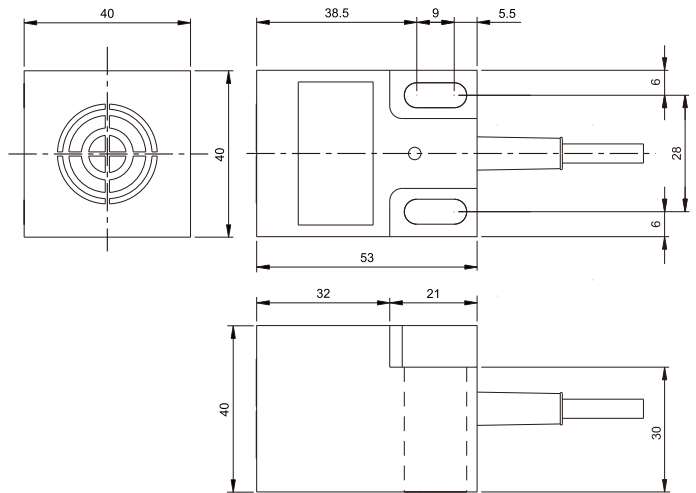
Switching Output	Model Number	Operating Voltage	Response Frequency	Sensing Distance
DC 3-Wire NPN NO	TL-B25N07E1	12~24VDC±10%	400Hz	7mm
DC 3-Wire NPN NC	TL-B25N07E2			
DC 3-Wire PNP NO	TL-B25P07E1			
DC 3-Wire PNP NC	TL-B25P07E2			
DC 2-Wire NPN/PNP NO	XPC-25D07E1	24~240VAC±10%	25Hz	
AC 2-Wire SCR NO	XPC-B25A07E1			
AC 2-Wire SCR NC	XPC-B25A07E2			



IEC IP67

Pre-wired 2M Cable / ABS

Switching Output	Model Number	Operating Voltage	Response Frequency	Sensing Distance
DC 3-Wire NPN NO	TL-B30N10E1	12~24VDC±10%	400Hz	10mm
DC 3-Wire NPN NC	TL-B30N10E2			
DC 3-Wire PNP NO	TL-B30P10E1			
DC 3-Wire PNP NC	TL-B30P10E2			
DC 2-Wire NPN/PNP NO	XPC-30D10E1			
AC 2-Wire SCR NO	XPC-B30A10E1	24~240VAC±10%	25Hz	
AC 2-Wire SCR NC	XPC-B30A10E2			



IEC IP67

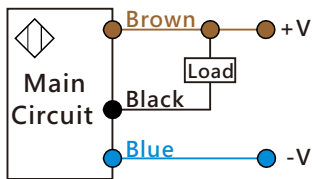
Pre-wired 2M Cable / ABS

Switching Output	Model Number	Operating Voltage	Response Frequency	Sensing Distance
DC 3-Wire NPN NO	TL-40N20E1	12~24VDC±10%	50Hz	20mm
DC 3-Wire NPN NC	TL-40N20E2			
DC 3-Wire PNP NO	TL-40P20E1			
DC 3-Wire PNP NC	TL-40P20E2			
DC 2-Wire NPN/PNP NO	XPC-40D20E1			
AC 2-Wire SCR NO	XPC-40A20E1	24~240VAC±10%	25Hz	
AC 2-Wire SCR NC	XPC-40A20E2			

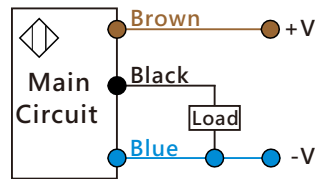
Item	Specifications
Standard sensing object	Iron, 18×18×1 mm (TL-E5、TL-B5、TL-18、XPC-18 Mode) Iron, 25×25×1 mm (TL-B25 Mode、XPC-25、XPC-B25 Mode) Iron, 30×30×1 mm (TL-B30 Mode、XPC-30、XPC-B30 Mode) Iron, 40×40×1 mm (TL-40 Mode、XPC-40 Mode)
Installation	Unshielded (TL-E5、TL-B5、TL-B30、XPC-30、XPC-B30、TL-40、XPC-40 Mode) Shielded (TL-18、XPC-18、TL-B25、XPC-25、XPC-B25 Mode)
Load current	DC 3 Wire ≤ 200mA、DC 2 Wire ≤ 100mA AC 2 Wire ≤ 300mA、TL-E5 Mode ≤ 100mA
Operation indicator	Red LED
Circuits protection	Reversed polarity & Short circuit protection
Ambient temperature & humidity range	Operating : -20 ~ 70°C / RH 35 ~ 85% (with no icing or condensation)

Wiring Diagram

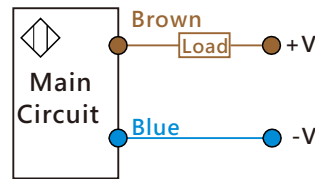
DC-3wire
NPN NO/NC Type



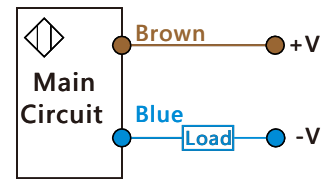
DC-3wire
PNP NO/NC Type



DC-2wire
NPN NO Type



DC-2wire
PNP NO Type



AC-2wire
NO/NC Type

