

### N Series

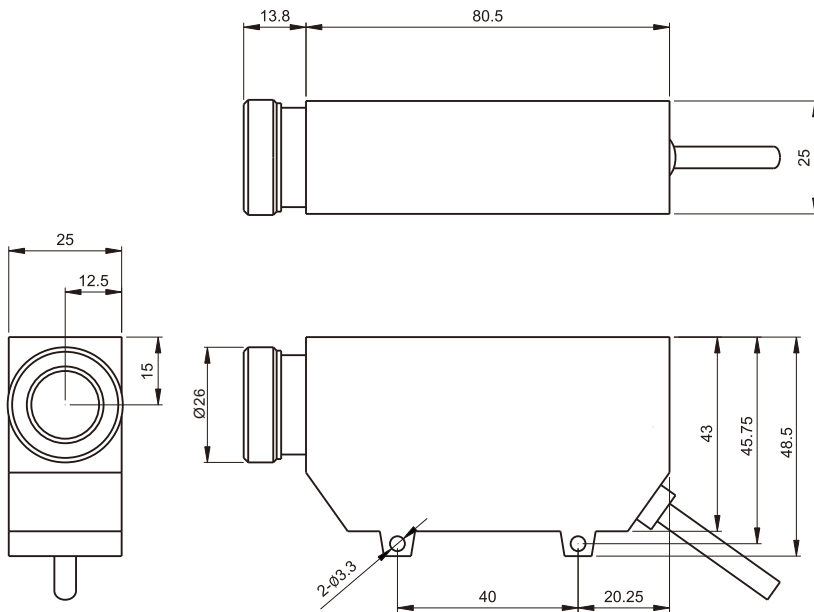
- Unique coaxial retro-reflective design, to detect minor difference of marks.
- Easy to detect and analyze the color marks, good performance and excellent stability.
- Equipped with sensitivity adjuster, excellent sensitivity.
- With Light ON and Dark ON two functions.



<u>Item</u>	<u>Specifications</u>
Model number	N-EW01N
Light Source	White Light
Sensing distance	8~14mm
Switching output	NPN NO & NC
Standard sensing object	Black Mark $\leq 2 \times 2$ mm
Operating voltage	DC 12~24V $\pm 10\%$
Response time	<2ms
Load current	<200mA
Sensitivity adjustment	Sensitivity adjuster
Operation indicator	Red LED
Circuits protection	Reversed polarity & Short circuit protection
Enclosure protection	IEC IP65
Ambient temperature & humidity range	Operating : -20 ~ 55°C / RH 35 ~85% (with no icing or condensation)

Ambient illumination	Lamplight < 3000 Lux / Sunlight < 10000 Lux
Housing material	Case : PBT / Lens : Glass
Connecting method	Pre-wired 2M Cable
Accessories	Screws

## Dimension



## Wiring Diagram

NPN NO&NC Type

