

### N Series

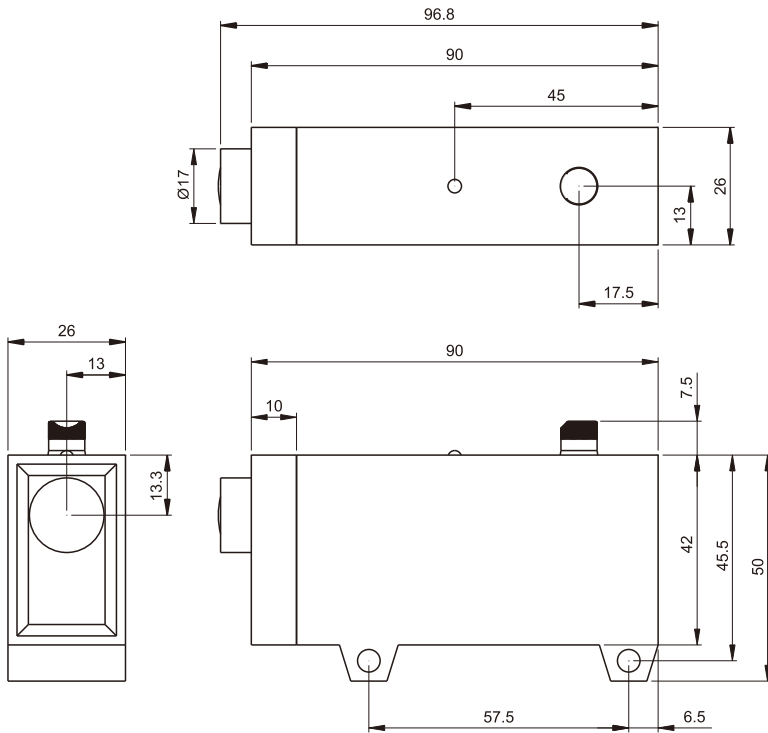
- ⊙ Easy to detect and analyze the color marks, good performance and excellent stability.
- ⊙ Plenty of emission light source with green light and red light for wide range application.
- ⊙ Equipped with sensitivity adjuster, excellent sensitivity.
- ⊙ With Light ON and Dark ON two functions.



Item	Specifications	
Model number	N-EG01N	N-ER01N
Light Source	Green Light	Red Light
Sensing distance	5~10mm	
Switching output	NPN NO & NC	
Standard sensing object	Black Mark $\leq 3 \times 3$ mm	
Operating voltage	DC 12~24V $\pm 10\%$	
Response time	<4ms	
Load current	<100mA	
Sensitivity adjustment	Sensitivity adjuster	
Operation indicator	Red LED	
Circuits protection	Reversed polarity protection	
Enclosure protection	IEC IP62	
Ambient temperature & humidity range	Operating : -20 ~ 55°C / RH 35 ~85% (with no icing or condensation)	

Ambient illumination	Lamplight < 3000 Lux / Sunlight < 10000 Lux
Housing material	Case : ABS / Lens : Acrylic
Connecting method	Pre-wired 2M Cable
Accessories	Screws

### Dimension



### Wiring Diagram

