

M Series

- Photoelectric sensor with separate amplifier.
- Provide stable power source to sensor, and can selected relay output.
- Equipped with timer delay functions.
- Equipped with action and power supply indicator.



Amplifier Units

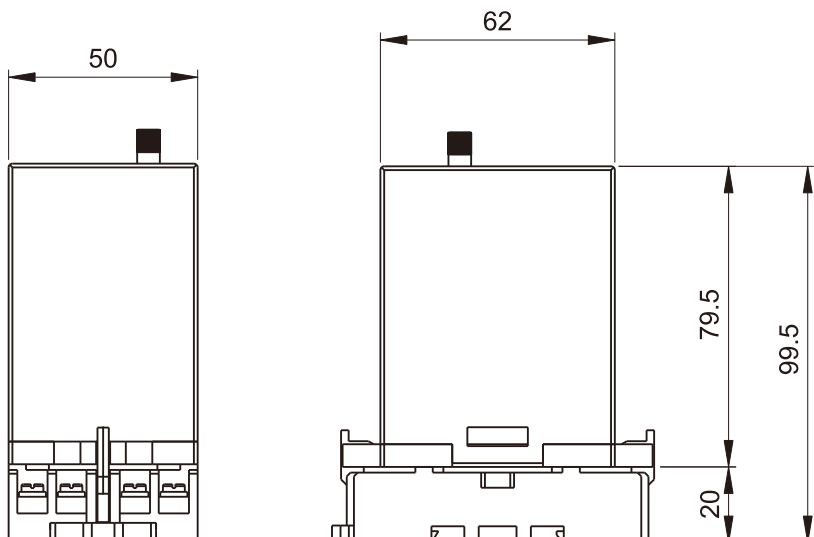
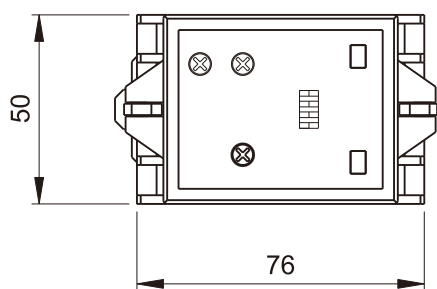
Item	Specifications			
	M-01N	M-01P	M-03-N	M-03-DN
Operating voltage	12~24VDC±10%		110/220VAC±10%	
Power consumption	<40mA		<4VA	
Connected sensor	SP-200-1、SP-100-1、SP-60-1R、SP-30-1G、CR-15-1、CR-10-1			
Response time	≦5ms		≦20ms	
Switching output	NPN NO & NC	PNP NO & NC	Relay output、250VAC/3A	
Timer function	n/a			On、Off One shot -Delay 0 ~ 5sec
Sensitivity adjustment	Sensitivity adjuster			
Operation indicator	Red LED			
Enclosure protection	IEC IP20			
Ambient temperature & humidity range	Operating: -10 ~ 55°C / RH 35 ~ 85% (with no icing or condensation)			

Sensor Units

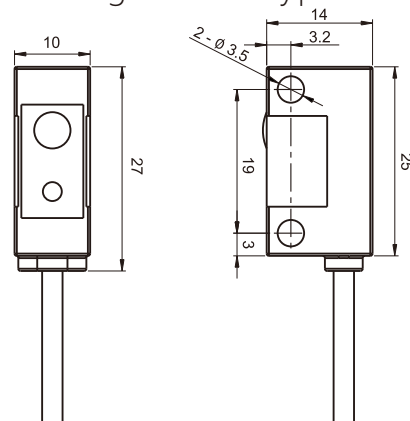
Item	Specifications					
Model number	SP-200-1	SP-100-1	SP-60-1R	SP-30-1G	CR-15-1	CR-10-1
Sensing method	Through-beam				Diffuse-reflective	
Sensing distance	2M	1M	60cm	30cm	15cm	10cm
Light source	Infrared LED		Red Light	Green Light	Infrared LED	
Enclosure protection	IEC IP62					
Ambient temperature & humidity range	Operating: -10 ~ 55°C / RH 35 ~ 85% (with no icing or condensation)					
Ambient illumination	Lamplight < 3000 Lux / Sunlight < 10000 Lux					
Housing material	Case : ABS / Lens: Acrylic					
Connecting method	Pre-wired 2M Cable					
Accessories	Mounting bracket· Screws					

Dimension

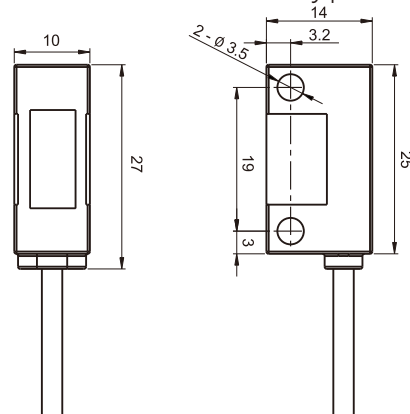
Amplifier Type



Through-beam Type

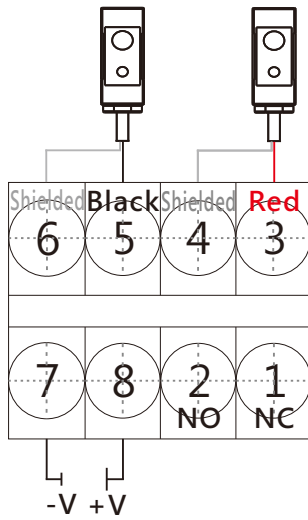


Diffuse-reflective Type

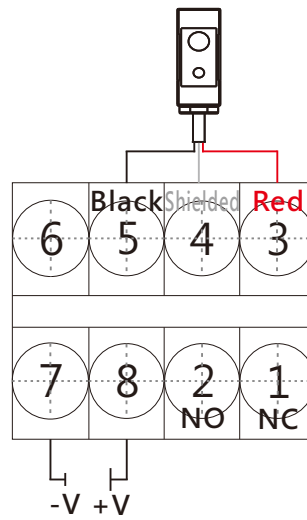


Wiring Diagram

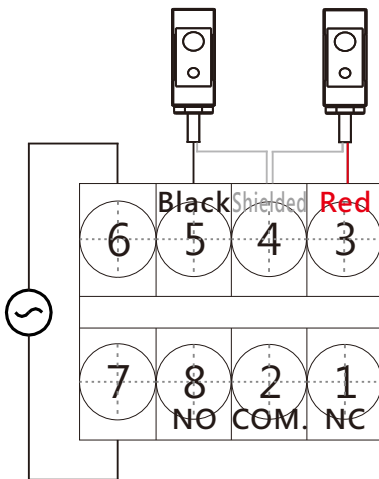
M-01□ Type(Through-beam)



M-01□ Type(Diffuse-reflective)



M-03-□ N Type(Through-beam)



M-03-□ N Type(Diffuse-reflective)

