

KT Series

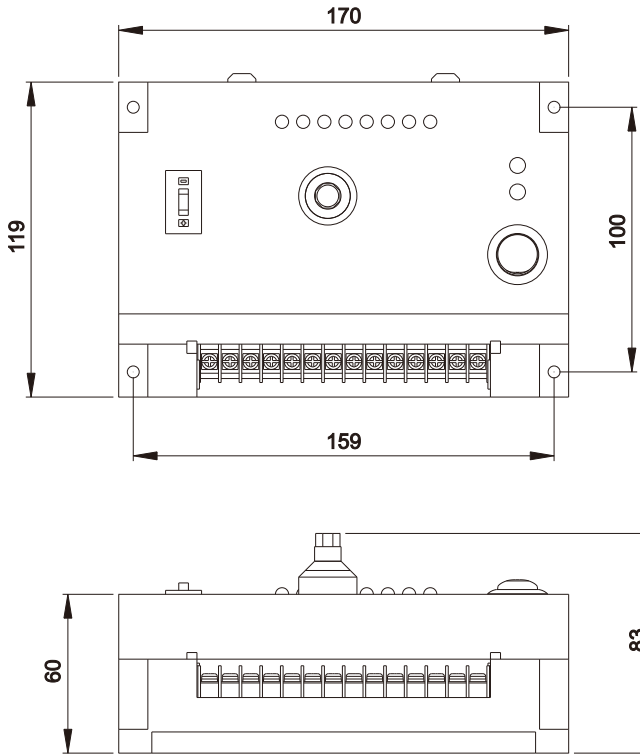
- Double feed detection of various metal sheets.
- Sensor unit equipped with IP67 protection, can to withstand harsh environment.
- Good performance, excellent sensitivity and stability.



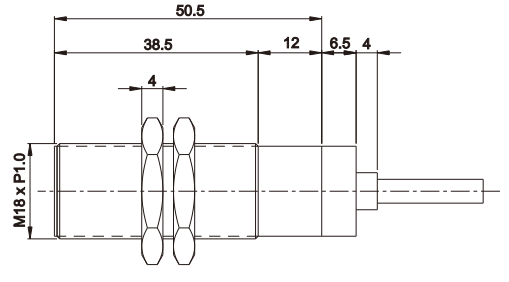
Item	Specifications
Amplifier unit	KT-101
Operating voltage	110/220VAC±10%
Detection method	Separate type
Switching output	NPN 100mA/ <24VDC、Relay 1C. 250CAV/3A
Response time	≤ 50ms
Sensitivity adjustment	Sensitivity adjuster
Operation indicator	Red LED
Enclosure protection	IEC IP20
Ambient temperature & humidity range	Operating : 0 ~ 50 °C / RH 35 ~85 % (with no icing or condensation)
Sensor unit	KT-101-18
Setting distance	30 ~ 60mm (Standard sensing distance at 50mm)
Standard sensing object	Iron plate 200 x 200mm
Metal detection thickness	Iron : 0.1 ~ 3.5mm Aluminum : 0.1 ~ 3.5mm Copper : 0.1 ~ 3.5mm Stainless -steel : 0.3 ~ 3.5mm
Enclosure protection	IEC IP67
Ambient temperature & humidity range	Operating : -10 ~ 50 °C / RH 35 ~85 % (with no icing or condensation)

Dimension

KT-101



KT-101-18



Wiring Diagram

