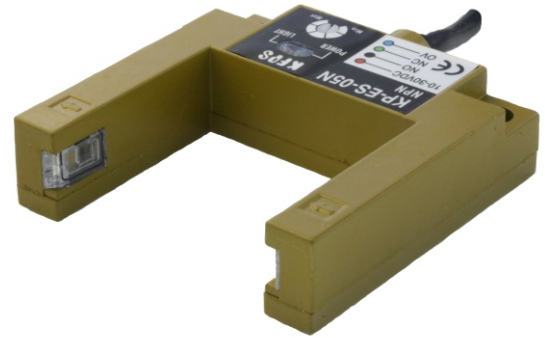


KP-ES05 Series

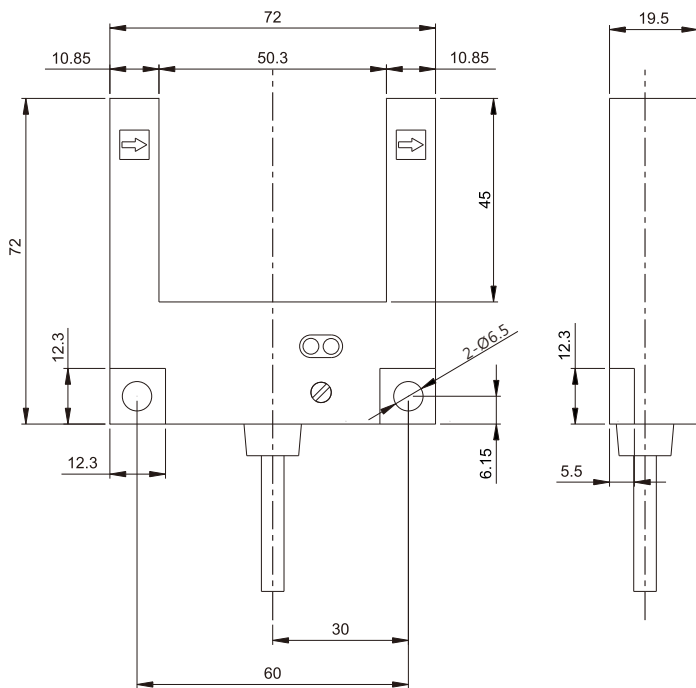
- ⊙ For elevator, escalator, conveyor equipment position detection.
- ⊙ Equipped with sensitivity adjuster, excellent sensitivity.
- ⊙ With Light ON and Dark ON two functions.
- ⊙ Good environmental resistance and excellent anti noise.



<u>Item</u>	<u>Specifications</u>	
Model number	KP-ES05N	KP-ES05P
Sensing distance	50mm	
Switching output	NPN NO & NC	PNP NO & NC
Standard sensing object	Opaque ∅5mm	
Operating voltage	DC 12~24V±10%	
Response time	< 5ms	
Load current	< 100mA	
Light source	Infrared LED	
Sensitivity adjustment	Sensitivity adjuster	
Operation indicator	Red LED	
Circuits protection	Reversed polarity protection	
Enclosure protection	IEC IP62	
Ambient temperature & humidity range	Operating : -20 ~ 55°C / RH 35 ~85% (with no icing or condensation)	

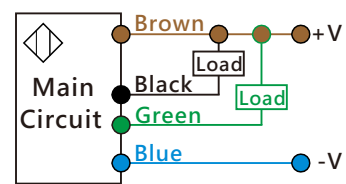
Ambient illumination	Lamplight < 3000 Lux / Sunlight < 10000 Lux
Housing material	Case : Zinc Alloy Die Casting / Lens : Acrylic
Connecting method	Pre-wired 2M Cable
Accessories	Screws · Adjustment screwdriver

Dimension



Wiring Diagram

NPN NO&NC Type



PNP NO&NC Type

