

KF Series

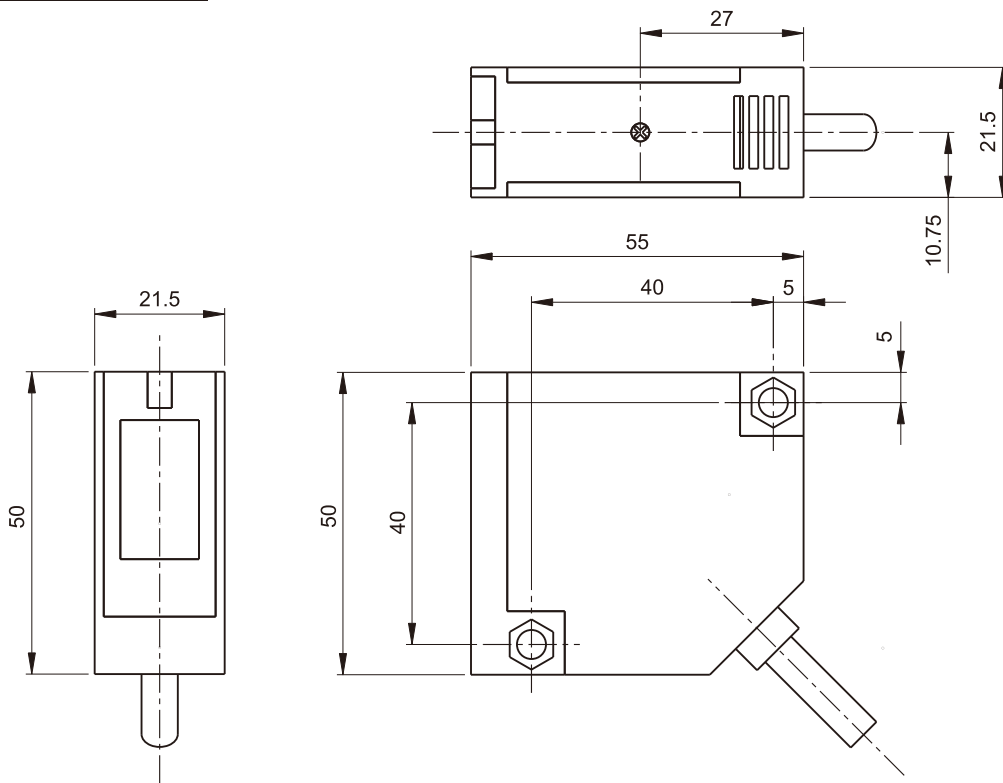
- Multi-voltage photoelectric sensor with built-in amplifier.
- Operating voltage at 24~240V AC/DC, relay switch output.
- Equipped with sensitivity adjuster, excellent sensitivity.
- Various detection distance and sensing method.



Item	Specifications						
Model number	KF-SP1500A	KF-SP500A	KF-SR7MA1	KF-SR500A	KF-SR300A	KF-CR150A	KF-CR40A
Sensing method	Through-beam		Retro-reflective			Diffuse-reflective	
Sensing distance	15M	10M	7.5M	5M	3M	150cm	40cm
Switching output	Relay Output 1C.						
Standard sensing object	Opaque Ø25mm	Opaque Ø20mm	Opaque Ø60mm		Opaque Ø50mm	White Paper 40x40mm	White Paper 30x30mm
Operating voltage	24~240VAC/DC±10%						
Response time	< 10ms						
Load current	250VAC/1A、24VDC/2A						
Sensitivity adjustment	Sensitivity adjuster						
Light source	Infrared LED						
Operation indicator	Red LED						
Enclosure protection	IEC IP65						
Ambient temperature & humidity range	Operating : -20 ~ 55°C / RH 35 ~85% (with no icing or condensation)						
Ambient illumination	Lamplight < 3000 Lux / Sunlight < 10000 Lux						
Housing material	Case : ABS / Lens : Acrylic						
Connecting method	Pre-wired 2M Cable						

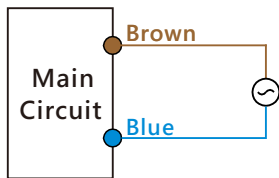
Accessories	Mounting bracket · Screws · Adjustment screwdriver Reflector (only for Retro -reflective)
-------------	--

Dimension



Wiring Diagram

Emitter of Thru-beam



Relay output Type

