

KB Series

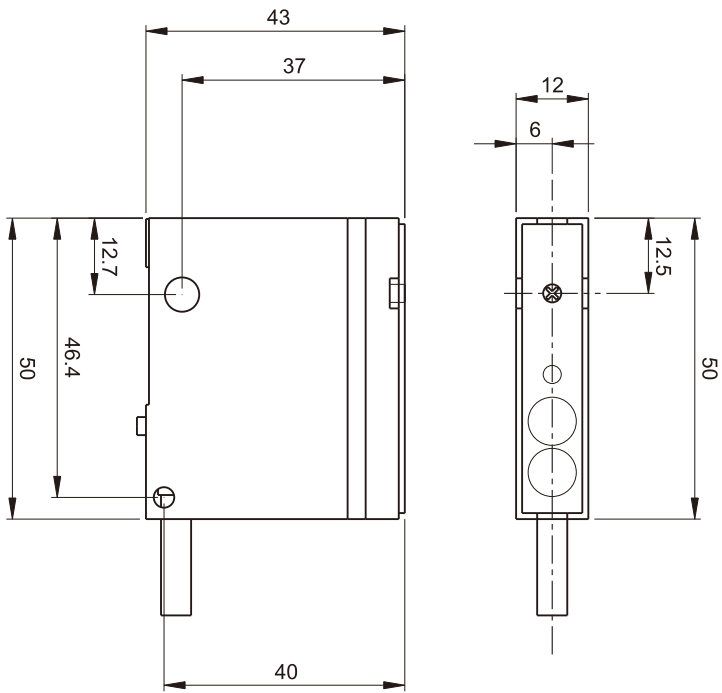
- Equipped with sensitivity adjuster, excellent sensitivity.
- With Light ON and Dark NO two functions.
- Robust Zinc alloy housing, excellent anti noise.
- Various detection distance and sensing method.



Item	Specifications					
Model number	KB-SP500N	KB-SP500P	KB-SR300N	KB-SR300P	KB-CR30N	KB-CR30P
Sensing method	Through-beam		Retro-reflective		Diffuse-reflective	
Sensing distance	5M		3M		20cm	
Switching output	NPN NO & NC	PNP NO & NC	NPN NO & NC	PNP NO & NC	NPN NO & NC	PNP NO & NC
Standard sensing object	Opaque Ø15mm		Opaque Ø30mm		White Paper 100x100mm	
Operating voltage	DC 12~24V±10%					
Response time	< 5ms					
Load current	< 100mA					
Sensitivity adjustment	Sensitivity adjuster					
Light source	Infrared LED					
Operation indicator	Red LED					
Enclosure protection	IEC IP60					
Ambient temperature & humidity range	Operating: -20 ~ 55°C / RH 35 ~ 85% (with no icing or condensabn)					
Ambient illumination	Lamplight < 3000 Lux / Sunlight < 10000 Lux					

Housing material	Case : Zinc Alloy Die Casting/ Lens : Acrylic
Connecting method	Pre-wired 2M Cable
Accessories	Mounting bracket · Screws · Adjustment screwdriver Reflector(only for Retroreflective)

Dimension



Wiring Diagram

