

KB-LS Series

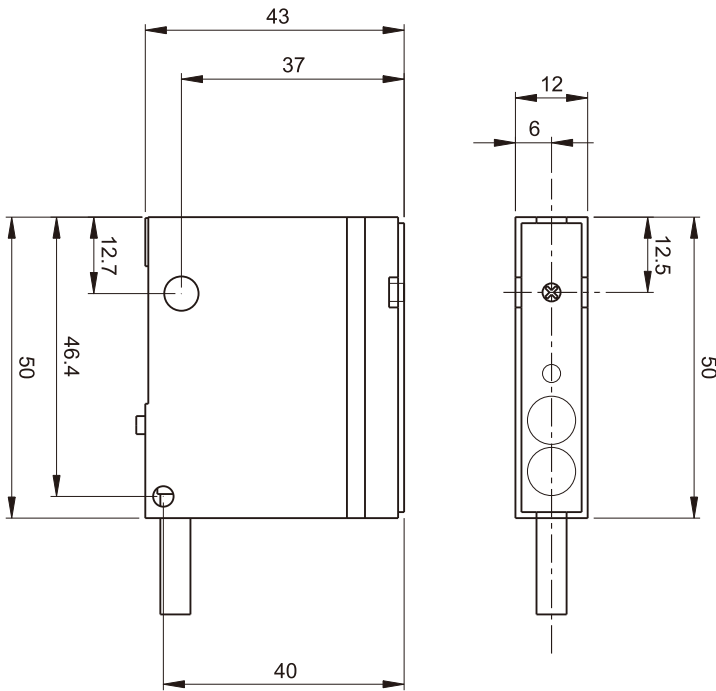
- Equipped with sensitivity adjuster, excellent sensitivity.
- Distance of detected objects can be setting and activated precisely without influence by color and material.
- With Light ON and Dark ON two functions.
- Excellent stability with perfect anti noise.



Item	Specifications			
Model number	KB-LS02N-C	KB-LS02P-C	KB-LS10N-C	KB-LS10P-C
Sensing method	Convergent-reflective			
Sensing distance	2cm		5cm	
Switching output	NPN NO & NC	PNP NO & NC	NPN NO & NC	PNP NO & NC
Standard sensing object	White Paper 50x50mm			
Operating voltage	DC 12~24V±10%			
Response time	< 5ms			
Load current	< 100mA			
Sensitivity adjustment	Sensitivity adjuster			
Light source	Infrared LED			
Operation indicator	Red LED			
Enclosure protection	IEC IP60			
Ambient temperature & humidity range	Operating : -20 ~ 55°C / RH 35 ~85% (with no icing or condensation)			

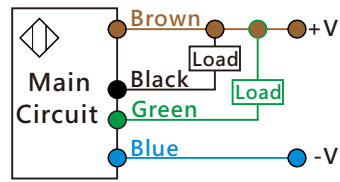
Ambient illumination	Lamplight < 3000 Lux / Sunlight < 10000 Lux
Housing material	Case : Zinc Alloy Die Casting / Lens : Acrylic
Connecting method	Cable with Quick Connector
Accessories	Mounting bracket · Screws · Adjustment screwdriver

Dimension



Wiring Diagram

NPN NO&NC Type



PNP NO&NC Type

