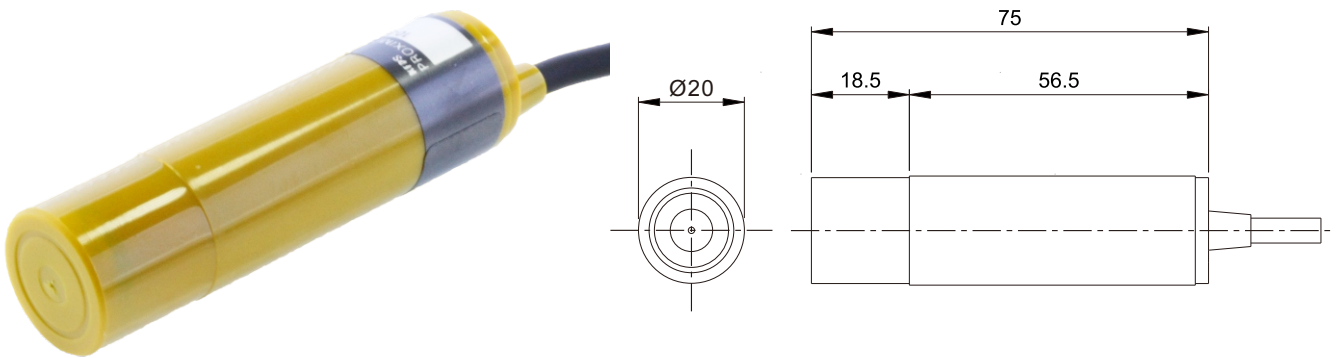


### Ø20 Series

- ☪ No-touch operation, high response frequency, wide range application.
- ☪ Variable with cable and connector version, customer-specific versions available.
- ☪ Good environmental resistance up to IP68 and all products are CE approved.



IEC IP68

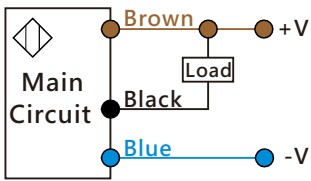
Pre-wired 2M Cable / ABS

Switching Output	Model Number	Operating Voltage	Response Frequency	Sensing Distance
DC 3-Wire NPN NO	ABS-20N10E1	12~24VDC±10%	200Hz	10mm
DC 3-Wire NPN NC	ABS-20N10E2			
DC 3-Wire PNP NO	ABS-20P10E1			
DC 3-Wire PNP NC	ABS-20P10E2			
DC 2-Wire NPN/PNP NO	XPB-20D10E1	24~240VAC±10%	25Hz	
AC 2-Wire SCR NO	XPB-20A10E1			
AC 2-Wire SCR NC	XPB-20A10E2			

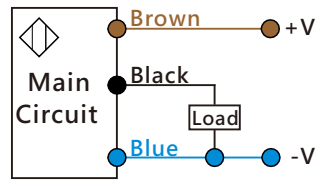
Item	Specifications
Standard sensing object	Iron, 25×25×1 mm
Installation	Unshielded
Load current	DC 3 Wire ≤ 200mA · DC 2 Wire ≤ 100mA AC 2 Wire ≤ 300mA
Operation indicator	Red LED
Circuits protection	Short circuit protection
Ambient temperature & humidity range	Operating : -20 ~ 70°C / RH 35 ~ 85% (with no icing or condensation)

### Wiring Diagram

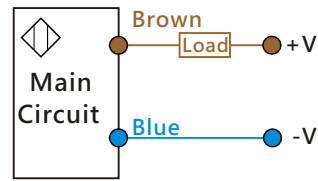
DC-3wire  
NPN NO/NC Type



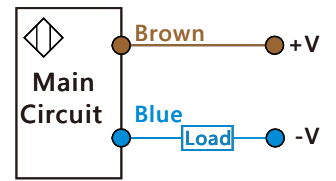
DC-3wire  
PNP NO/NC Type



DC-2wire  
NPN NO Type



DC-2wire  
PNP NO Type



AC-2wire  
NO/NC Type

